



شركة حديد
التقنية العليا
الصناعية
HITECH
STEEL INDUSTRIES



SAUDI
MADE

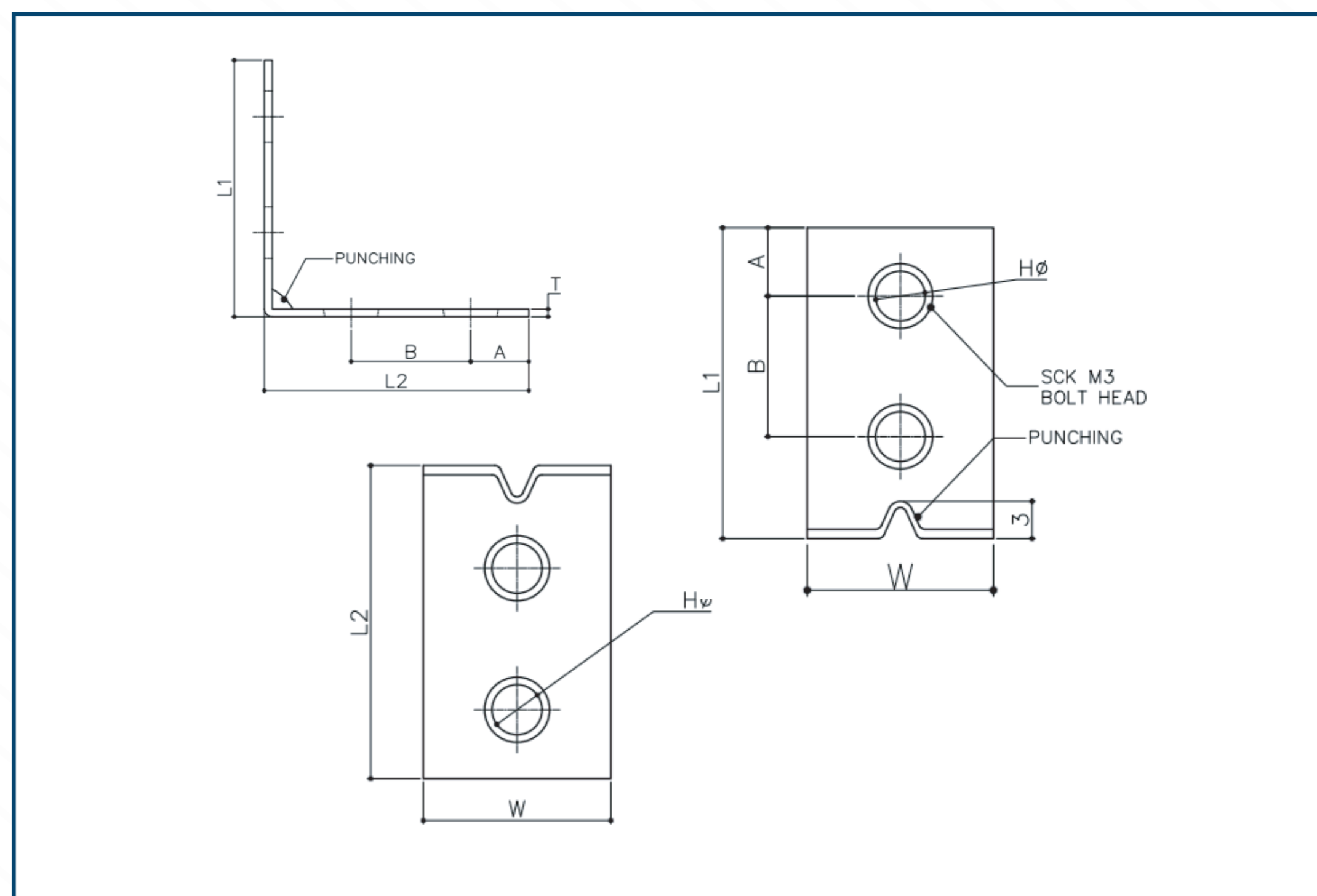
METAL PIPE
ACCESSORIES

Table of Content

01. L-Bracket	02
02. U-Clamp	03
03. Sprinkler Clamp TA41	04
04. Two Bolt Clamp	05
05. Riser Clamp	06
06. Two Bolt Riser Clamp	07
07. U-Strap Clamp	08
08. Clevis Hanger	09
09. Washers (U-shared)	10
10. Rail Connector with Slide Nuts	11
11. Rail Connectors	12
12. Strut Connectors 90°	13
13. Strut Connectors 120°, 135°, 150°	14
14. U-Shaped Connectors	15
15. Strut Z-Connectors	16
16. Strut Cross Connectors	17
17. Strut Clamps	18
18. Strut Beam Clamps	19
19. Standard Pipe Clamp	20
20. J-Hanger	21
21. Brace Band	22
22. Tension Band	22
23. Tension Bar	23
24. Tension wire	23
25. Post Cap	24
26. Line Post Cap	24
27. Rail End	25
28. Barbed Wire Arm	25
29. Carriage Bolt	26
30. Top Rail Sleeve	26
31. Top Rail	27
32. J-Bolt Hinge	27
33. Razor Wire	28
34. Barbed Wire	29



L-Bracket



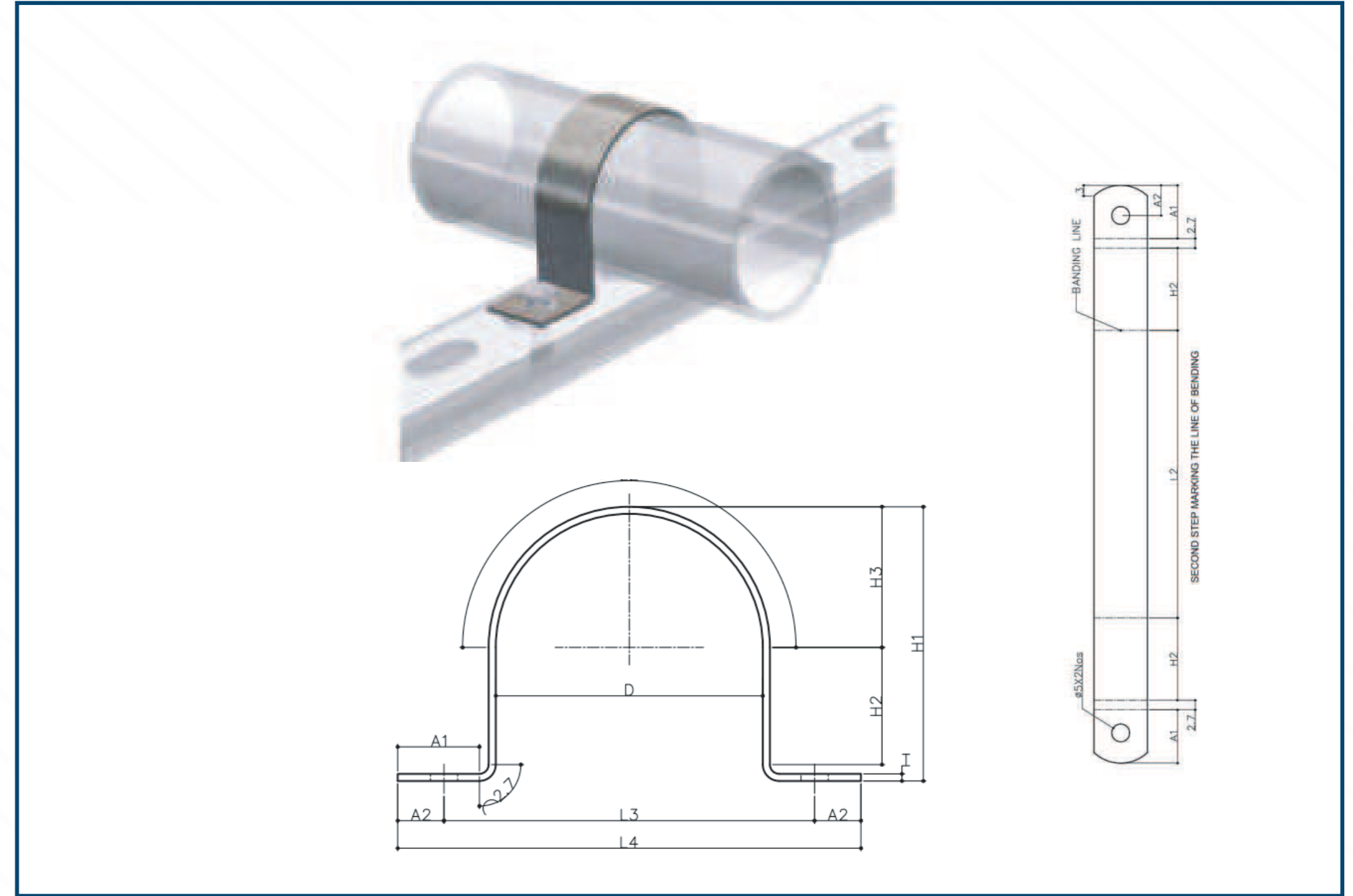
Features & benefits

- Perfect for framing and structural applications
- Perfect for shelving and furniture assembly
- Material: steel
- Pre-galvanized
- Material: steel
- Pre-galvanized.

L TYPE COUPLE SIZE CHART

PROFILE	L1	L2	W	T	HOLE Ø	A	B
SAMPLE -1	60	60	15	1.4	4.5	10.75	29.5
SAMPLE -2	50	50	15	1.4	4.5	9.75	24.5
SAMPLE -3	40	40	15	1.4	4.5	9.75	17.5
SAMPLE -4	30	30	15	1.4	4	9.5	12
SAMPLE -5	25	25	15	1.4	4	5	9.5
SAMPLE -6	20	20	15	1.4	4	5	-

U-Clamp



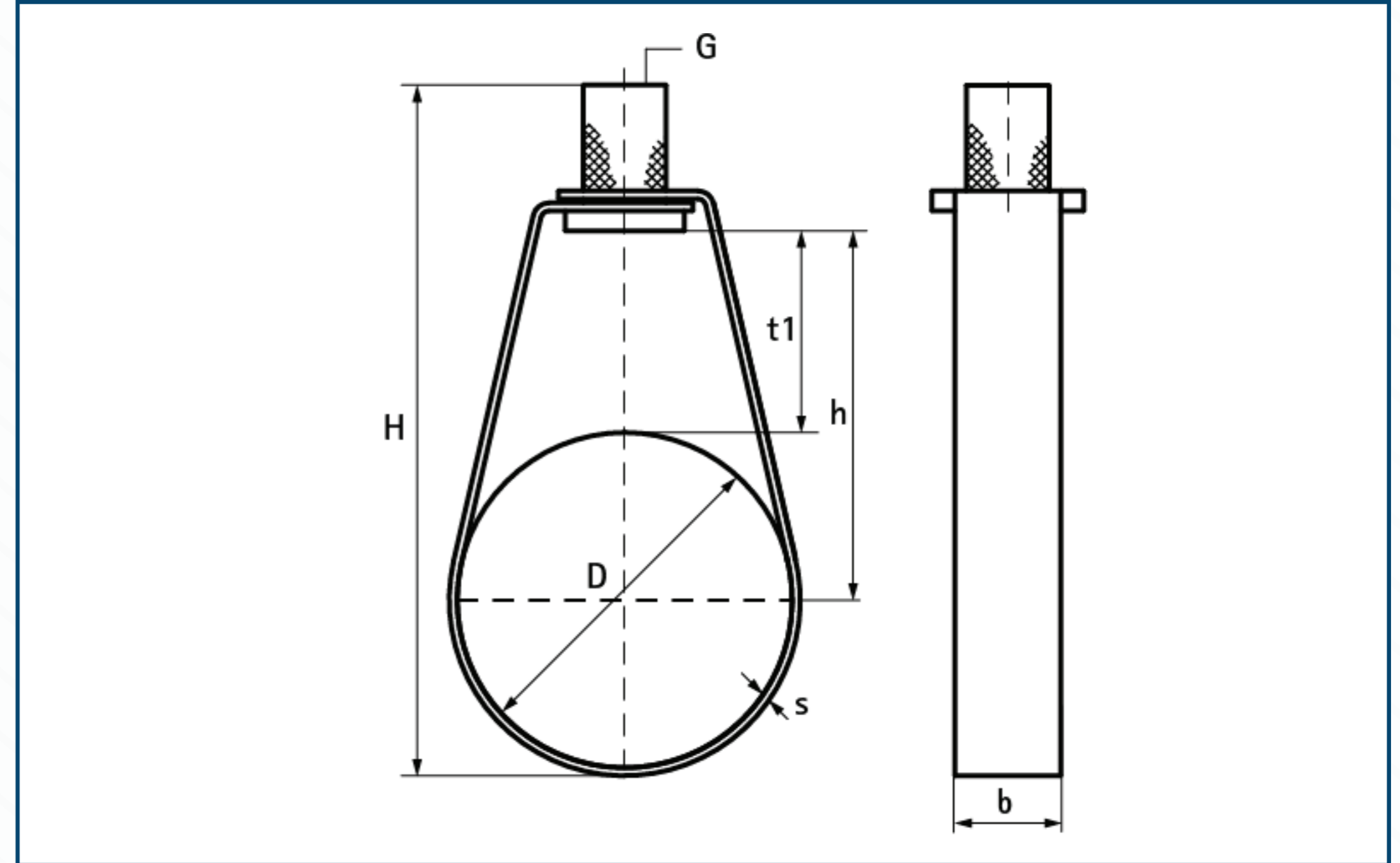
Features & benefits

- For mounting plain or insulated pipes
- Can be used with Rubber Support Inserts
- Slotted holes on both sides allow convenient installation
- Material: steel
- Pre-galvanized
- Designed to meet MSS Standard SP-58, type 26 and SP-69

U BAND SIZE CHART

PROFILE	D	T	L-1	L-2	L-3	L-4	A-1	A-2	H-1	H-2	H-3
1" PIPE BAND	34	1.3	120.5	56.5	53	70	15	8.5	35	14	18
1 1/4" PIPE BAND	43	1.3	145.6	71.5	62	79	15	8.5	45.3	19.5	22.8
1 1/2" PIPE BAND	49	1.3	162.8	81	68	85	15	8.5	50.3	21.5	25.8
2" PIPE BAND	61	1.3	190	100	83	97	15	7	62.3	27.5	31.8
2 1/2" PIPE BAND	73	1.3	225	118.2	95	109	15	7	74.3	33.5	37.8
3" PIPE BAND	90	1.5	275	145.5	122	136	20	7	91.3	42	46.3
3 1/2" PIPE BAND	102	1.5	306	164.3	133	148	20	7	103.3	48	52.3
4" PIPE BAND	115	1.5	340	184.7	147	161	20	7	116.3	54.5	58.8

Sprinkler Clamp TA41



Features & benefits

- One-part clamp
- for sprinkler pipes up to 8" (221 mm)
- with knurled nut for fixing to stud bolt or threaded rod
- material: steel
- clamp: pre-galvanized; nut: zinc plated

Part No.	D (mm)	D (mm)	DN	G	H (mm)	h (mm)	b x s (mm)	t1 (mm)	Fa,z (N)	FM	UL	Pack 1	App.
4535021	23	12.7	15	M10	86	51	16 x 1.0	40	1,500	FM	UL	100	pc.
4535027	28	19.05	20	M10	86	48	16 x 1.0	34	1,500	FM	UL	100	pc.
4535034	35	25.4	25	M10	89	48	16 x 1.0	30	1,500	FM	UL	100	pc.
4535042	44	31.75	32	M10	98	52	16 x 1.0	30	1,500	FM	UL	100	pc.
4535048	50	38.1	40	M10	105	56	16 x 1.0	31	1,500	FM	UL	100	pc.
4535060	62	50.8	50	M10	117	61	16 x 1.0	30	1,500	FM	UL	100	pc.
4535076	77	63.5	65	M10	130	68	22 x 2.0	29	4,500	FM	UL	50	pc.
4535089	90	76.2	80	M10	143	74	22 x 2.0	28	4,500	FM	UL	50	pc.
4535114	115	101.6	100	M10	175	93	22 x 2.0	35	4,500	FM	UL	25	pc.
4535140	142	127	125	M12	213	111	25 x 3.0	40	5,200	FM	UL	20	pc.
4535168	170	152.4	150	M12	250	132	25 x 3.0	48	5,200	FM	UL	15	pc.
4535219	221	203.2	200	M12	312	167	25 x 3.0	56	5,200	FM	UL	10	pc.

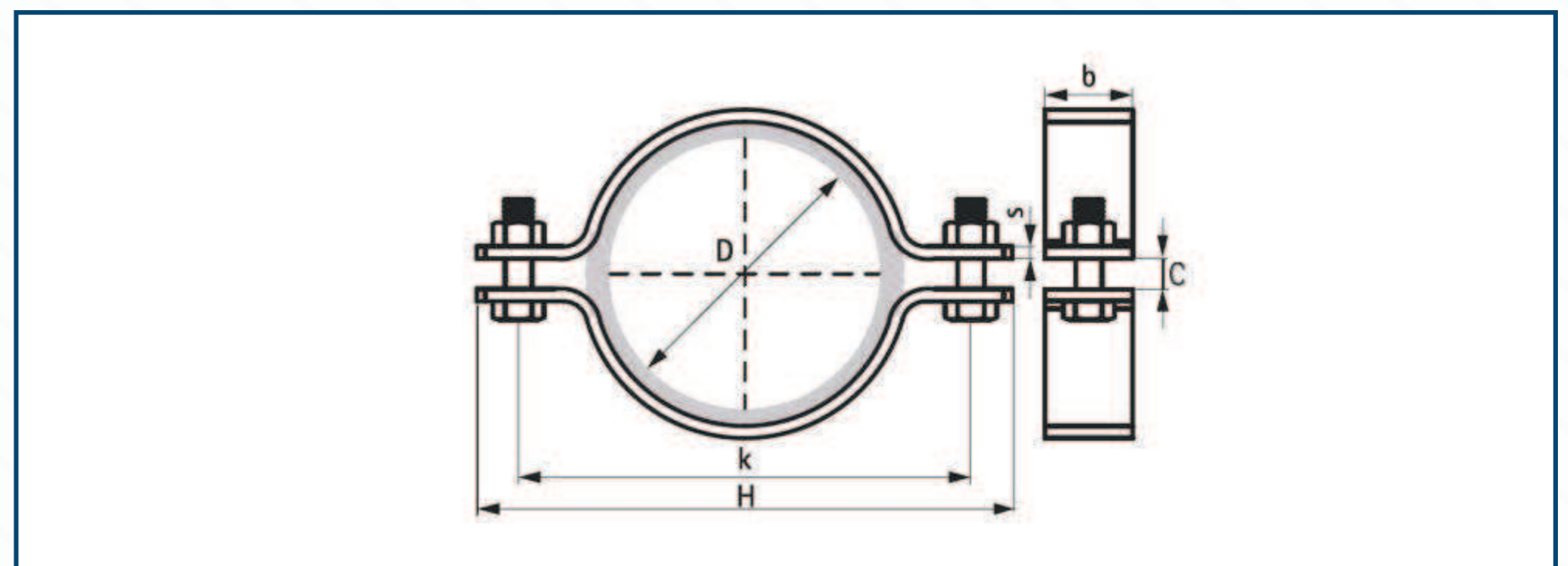
Two Bolt Clamp

Hot Dip Galvanized and Stainless Steel option available on request



Features & benefits

- Designed to act as a horizontal support for heavier pipes
- Two bolt arrangement provides sturdier support
- Material: steel
- Electrogalvanized as per ASTM B 633 Standards (SC3), BS 1706 FE/ZN 12
- Designed to meet MSS Standard SP-58-2002, type 4 and SP-69.



Part No.	D (mm)	BOLT	BXS (mm)	K (mm)	H (mm)	C (mm)	Fa,z (N)	Pack 1
DMC 211 022	12.7	M10	25x5.0	68	97	12	1700	50
DMC 211 028	19.05	M10	25x5.0	76	105	12	1700	50
DMC 211 035	25.4	M10	25x5.0	84	113	12	1700	50
DMC 211 040	31.75	M10	25x5.0	92	121	12	1700	40
DMC 211 048	38.1	M10	25x5.0	98	127	12	1700	40
DMC 211 060	50.8	M10	25x5.0	116	156	16	1700	40
DMC 211 075	63.5	M12	25x5.0	142	182	16	4000	35
DMC 211 090	76.2	M12	25x6.0	156	196	16	4000	35
DMC 211 100	88.9	M12	25x6.0	168	208	16	4000	30
DMC 211 155	101.6	M12	25x6.0	180	220	19	4000	30
DMC 211 140	127	M16	25x6.0	214	252	19	6000	20
DMC 211 168	152.4	M16	25x6.0	242	290	22	6000	15
DMC 211 220	203.2	M16	25x9.0	300	352	25	11000	5
DMC 211 273	254	M16	25x9.0	358	406	25	12000	4
DMC 211 323	304.8	M20	25x12.0	430	490	25	15000	3
DMC 211 355	355.6	M20	25x12.0	480	546	28	15000	3
DMC 211 406	406.4	M20	25x16.0	532	597	28	22000	2
DMC 211 457	457.2	M20	25x16.0	610	686	32	22000	2
DMC 211 508	508	M20	25x16.0	680	776	35	22000	1
DMC 211 610	609.6	M20	25x16.0	780	876	42	22000	1

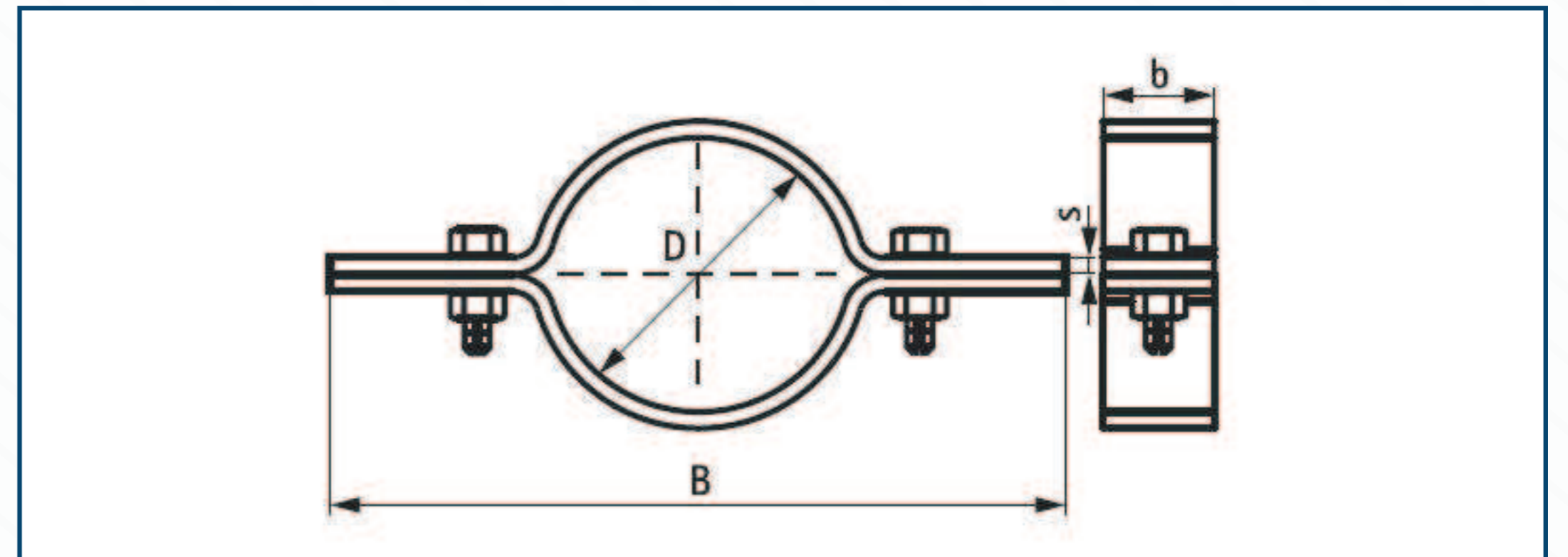
Riser Clamp

Hot Dip Galvanized and Stainless Steel option available on request



Features & benefits

- Designed to act as a rigid support or guide for vertical pipes
- Suitable for use with all types of pipes
- Material: steel
- Electrogalvanized as per ASTM B 633 Standards (SC3), BS 1706 FE/ZN 12
- Designed to meet MSS Standard SP-58-2002, type 8 and SP-69.



Part No.	D (mm)	BOLT	BXS (mm)	B (mm)	F _{a,z} (N)	Pack 1
DMC 111 022	12.7	M10	25x5.0	200	1700	50
DMC 111 028	19.05	M10	25x5.0	210	1700	50
DMC 111 035	25.4	M10	25x5.0	230	1700	50
DMC 111 040	31.75	M10	25x5.0	260	1700	50
DMC 111 048	38.1	M10	25x5.0	260	1700	40
DMC 111 060	50.8	M10	25x5.0	260	1700	40
DMC 111 075	63.5	M12	25x5.0	290	4000	30
DMC 111 090	76.2	M12	25x6.0	290	4000	25
DMC 111 100	88.9	M12	25x6.0	330	4000	25
DMC 111 155	101.6	M12	25x6.0	330	4000	25
DMC 111 140	127	M16	40x6.0	350	6000	20
DMC 111 168	152.4	M16	40x6.0	380	6000	15
DMC 111 220	203.2	M16	40x9.0	470	11000	5
DMC 111 273	254	M16	50x9.0	520	12000	4
DMC 111 323	304.8	M20	50x12.0	580	15000	3
DMC 111 355	355.6	M20	50x12.0	610	15000	3
DMC 111 406	406.4	M20	50x16.0	660	22000	2
DMC 111 457	457.2	M20	50x16.0	710	22000	2
DMC 111 508	508	M20	50x16.0	760	22000	1
DMC 111 610	609.6	M20	50x16.0	880	22000	1

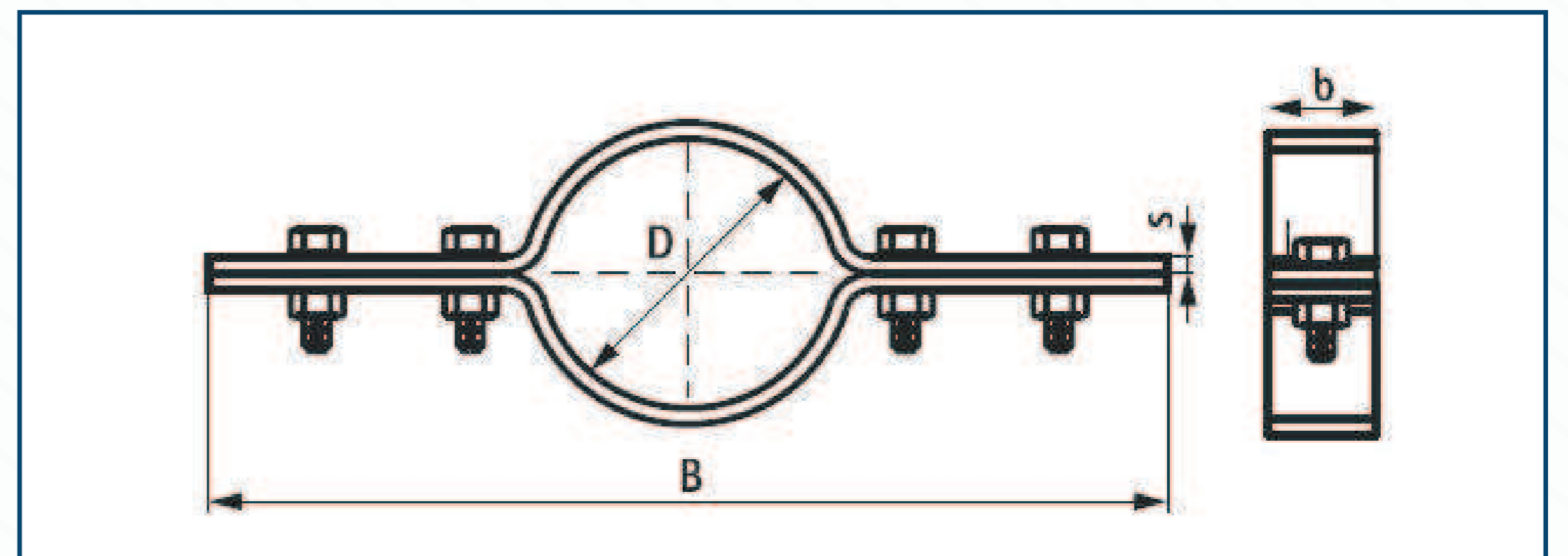
Two Bolt Riser Clamp

Hot Dip Galvanized and Stainless Steel option available on request



Features & benefits

- Designed to act as a rigid support or guide for vertical pipes
- Suitable for use with all types of pipes
- Material: steel
- Electrogalvanized as per ASTM B 633 Standards (SC3), BS 1706 FE/ZN 12
- Designed to meet MSS Standard SP-58, SP-58-2002, type 42.

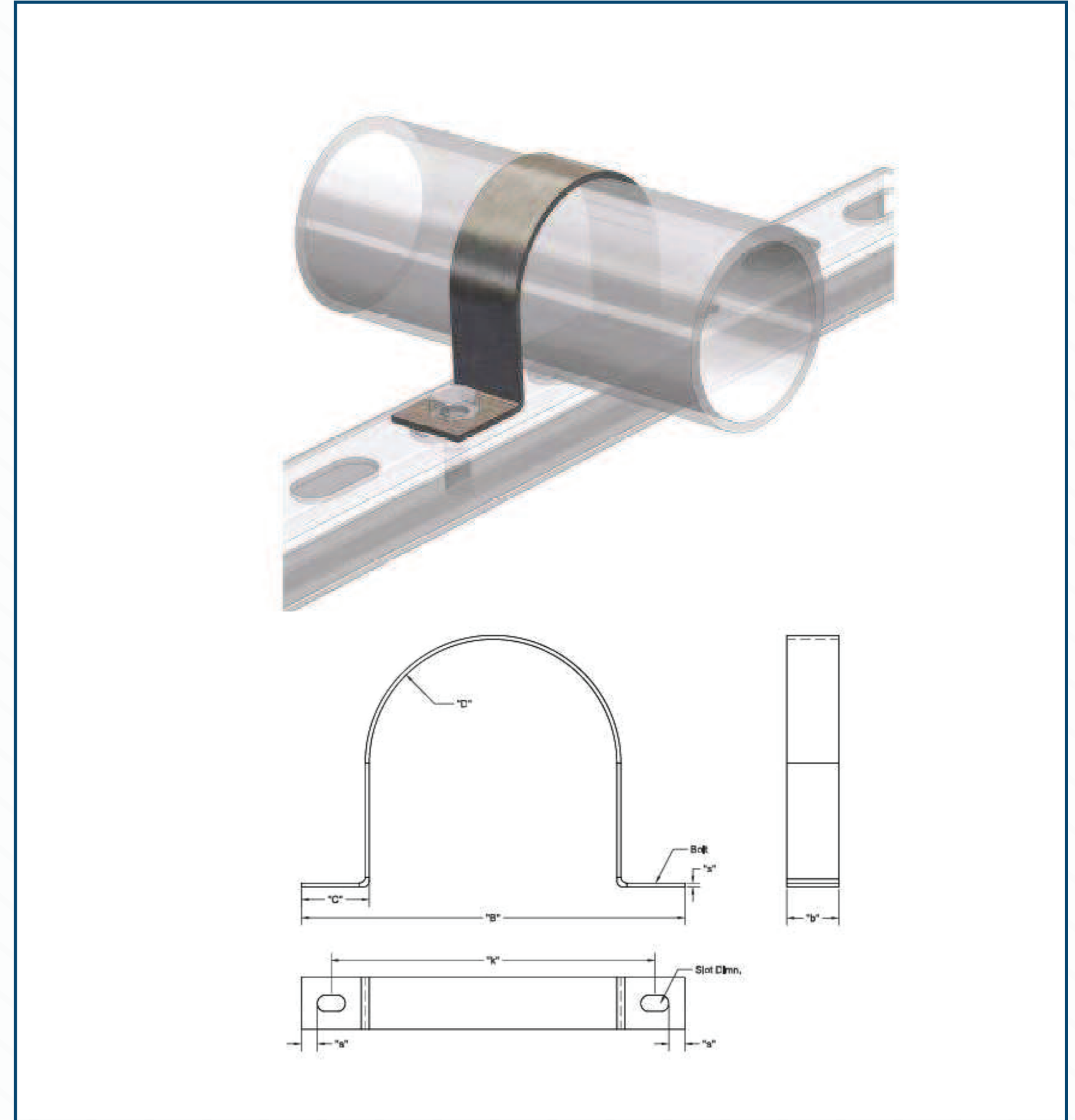


Part No.	D (mm)	BOLT	BXS (mm)	B (mm)	Fa,z (N)	Pack 1
DMC 111 022	12.7	M10	25x5.0	200	1700	50
DMC 111 028	19.05	M10	25x5.0	210	1700	50
DMC 111 035	25.4	M10	25x5.0	230	1700	50
DMC 111 040	31.75	M10	25x5.0	260	1700	50
DMC 111 048	38.1	M10	25x5.0	260	1700	40
DMC 111 060	50.8	M10	25x5.0	260	1700	40
DMC 111 075	63.5	M12	25x6.0	290	4000	30
DMC 111 090	76.2	M12	25x6.0	290	4000	25
DMC 111 100	88.9	M12	25x6.0	330	4000	25
DMC 111 155	101.6	M12	25x6.0	330	4000	25
DMC 111 140	127	M16	40x6.0	350	6000	20
DMC 111 168	152.4	M16	40x6.0	380	6000	15
DMC 111 220	203.2	M16	40x10.0	470	11000	5
DMC 111 273	254	M16	50x10.0	520	12000	4
DMC 111 323	304.8	M20	50x12.0	580	15000	3
DMC 111 355	355.6	M20	50x12.0	610	15000	3
DMC 111 406	406.4	M20	50x12.0	660	22000	2
DMC 111 457	457.2	M20	50x12.0	710	22000	2
DMC 111 508	508	M20	50x12.0	760	22000	1
DMC 111 610	609.6	M20	50x12.0	880	22000	1

U-Strap Clamp

Other dimensions available on request.

Sizes of U Strap can be modified to be used with Rubber Support Inserts.
Hot Dip Galvanized and Stainless Steel option available on request



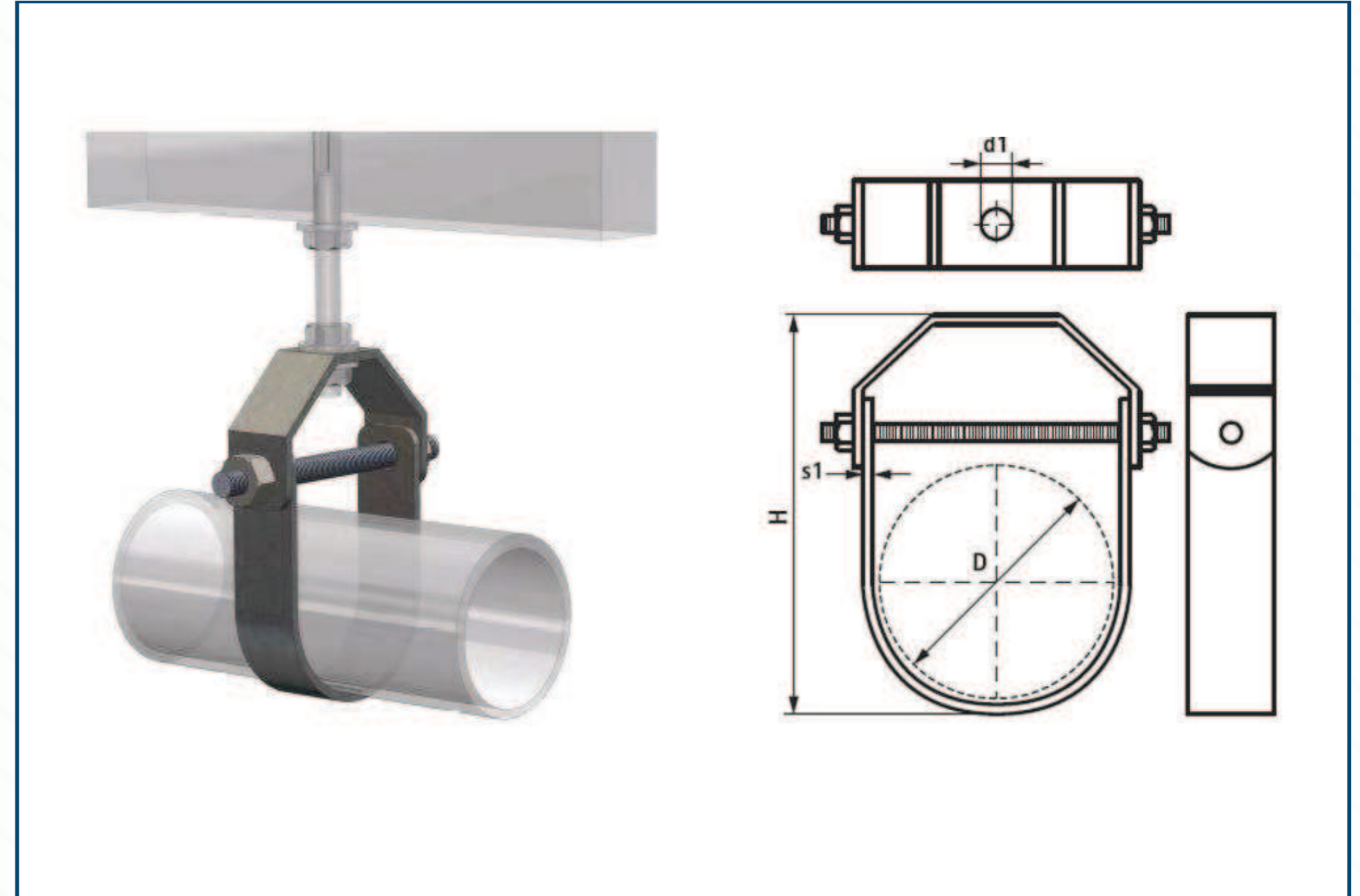
Features & benefits

- For mounting plain or insulated pipes
- Can be used with Rubber Support Inserts
- Slotted holes on both sides allow convenient installation
- Material: steel
- Electrogalvanized as per ASTM B 633 Standards (SC3), BS 1706 FE/ZN 12
- Designed to meet MSS Standard SP-58, type 26 and SP-69.

Part No.	D (mm)	D (mm)	BOLT	B (mm)	BXS (mm)	K (mm)	Fa,z (N)	Pack 1
DM C15 5 022	22	12.7	M8	76	25x2.0	51	5500	600
DM C15 5 028	28	19.05	M8	82	25x2.0	57	5500	500
DM C15 5 035	35	25.4	M8	89	25x2.0	64	5500	400
DM C15 5 042	42	31.75	M8	96	25x2.0	71	5500	300
DM C15 5 048	48	38.1	M8	102	25x2.0	77	5500	250
DM C15 5 054	54	-	M8	108	25x2.0	83	5500	200
DM C15 5 060	60	50.8	M8	114	25x2.0	89	5500	200
DM C15 5 067	67	-	M8	121	25x2.0	96	5500	200
DM C15 5 075	75	63.5	M8	145	25x3.0	113	6500	150
DM C15 5 082	82	-	M8	152	25x3.0	120	6500	150
DM C15 5 090	90	76.2	M8	160	25x3.0	128	6500	150
DM C15 5 100	100	88.9	M8	170	25x3.0	138	6500	150
DM C15 5 108	108	-	M8	178	25x3.0	146	6500	150
DM C15 5 115	115	101.6	M8	185	25x3.0	153	6500	125
DM C15 5 126	126	-	M10	196	25x3.0	164	6500	125
DM C15 5 140	140	127	M10	210	25x3.0	178	6500	100
DM C15 5 148	148	-	M10	218	25x3.0	186	6500	100
DM C15 5 155	155	-	M10	225	25x3.0	193	6500	100
DM C15 5 168	168	152.4	M10	237	25x3.0	205	6500	100
DM C15 5 179	179	-	M10	249	25x3.0	217	6500	100
DM C15 5 190	190	-	M10	260	38x3.0	228	9000	50
DM C15 5 205	205	-	M10	275	38x3.0	243	9000	50
DM C15 5 219	219	203.2	M10	289	38x3.0	257	9000	50
DM C15 5 230	230	-	M10	300	38x3.0	268	9000	50

Clevis Hanger

Hot Dip Galvanized and Stainless Steel option available on request.
The sizes of the Clevis Hangers can be modified to be used with Rubber Support Inserts.
Custom made Clevis Hangers are available on request.

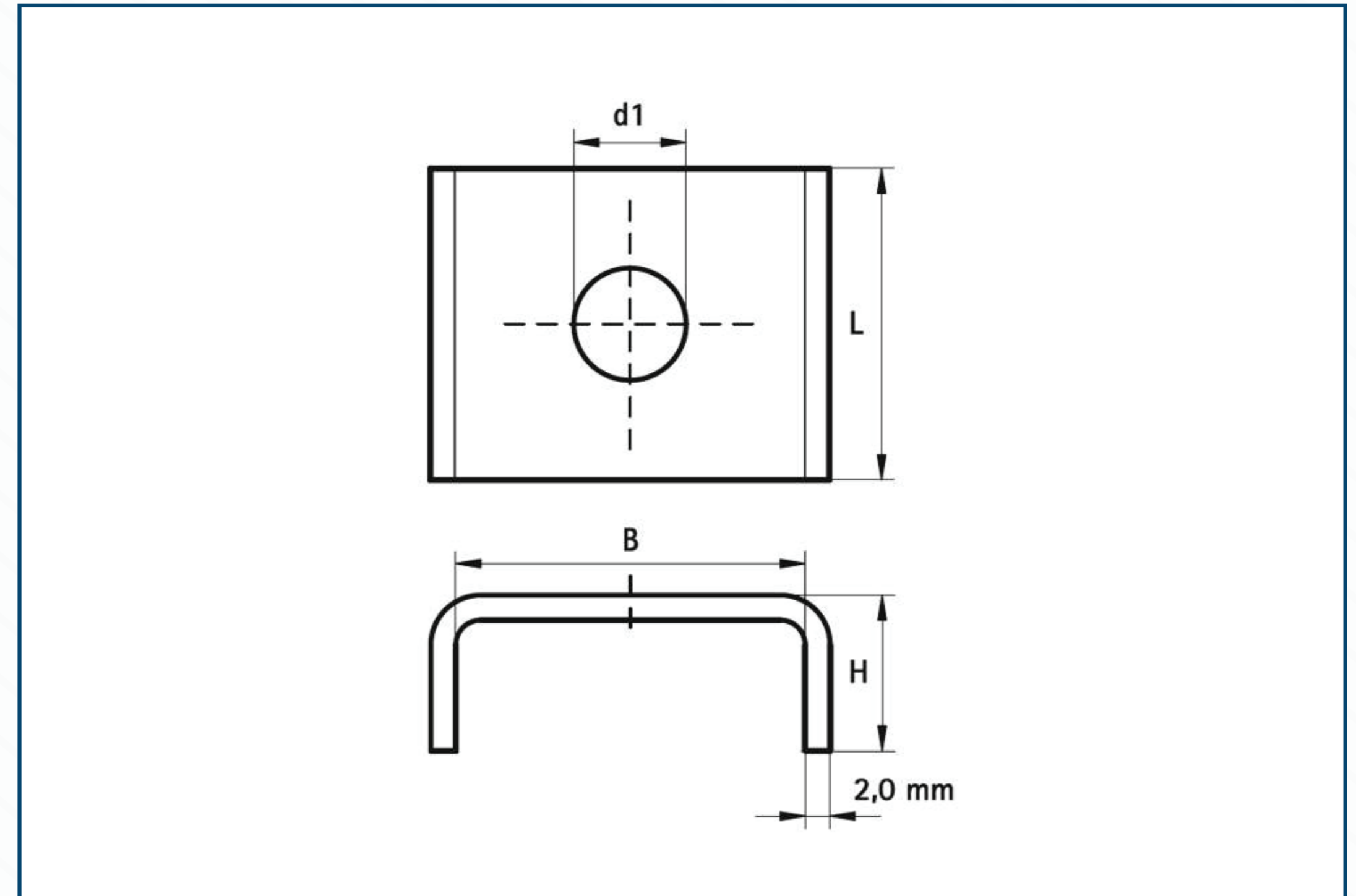


Features & benefits

- Designed for chilled water pipe work and fire fighting systems
- Design permits vertical adjustment of pipe after installation
- Hanger load nut above clevis must be tightened securely to ensure proper hanger performance
- Material: steel
- Electrogalvanized as per ASTM B 633 Standards (SC3), BS 1706 FE/ZN 12
- Designed to meet MSS Standard SP-58, type 1 and SP-69.

Part No.	D (mm)	D (mm)	BOLT	H (mm)	d1 (mm)	F _{a,z} Appr. (N)	Pack 1
DM C12 2 022	22	12.7	M8x60mm	70	10	4000 -	200
DM C12 2 028	28	19.05	M8x68mm	76	10	4000 FM, UL	200
DM C12 2 035	35	25.4	M8x78mm	82	10	4000 FM, UL	170
DM C12 2 040	42	31.75	M8x82mm	92	10	4000 FM, UL	150
DM C12 2 048	48	38.1	M8x88mm	100	10	4000 FM, UL	100
DM C12 2 060	60	50.8	M10x110mm	117	10	4000 FM, UL	70
DM C12 2 075	73	63.5	M10x125mm	146	10	6500 FM, UL	60
DM C12 2 090	89	76.2	M10x140mm	155	10	6500 FM, UL	50
DM C12 2 0100	105	88.9	M10x155mm	173	10	6500 FM, UL	50
DM C12 2 115	115	101.6	M10x170mm	198	10	8000 FM, UL	25
DM C12 2 140	140	127	M12x195mm	322	12	8000 FM, UL	30
DM C12 2 168	168	152.4	M12x255mm	266	12	11000 FM, UL	25
DM C12 2 219	219	203.2	M12x275mm	338	12	13000 FM, UL	20
DM C12 2 273	273	254	M16x360mm	419	16	13000 -	5
DM C12 2 323	323	304.8	M20x420mm	490	20	15000 -	3
DM C12 2 355	355	355.6	M20x455mm	556	20	15000 -	3
DM C12 2 406	406	406.4	M24x510mm	610	24	17500 -	3
DM C12 2 457	457	457.2	M24x555mm	675	24	17500 -	3
DM C12 2 508	508	508	M24x610mm	715	30	22000 -	2
DM C12 2 610	610	609.6	M24x710mm	850	30	27000 -	1
DM C12 2 755	755	762	M24x890mm	260	30	30000 -	1

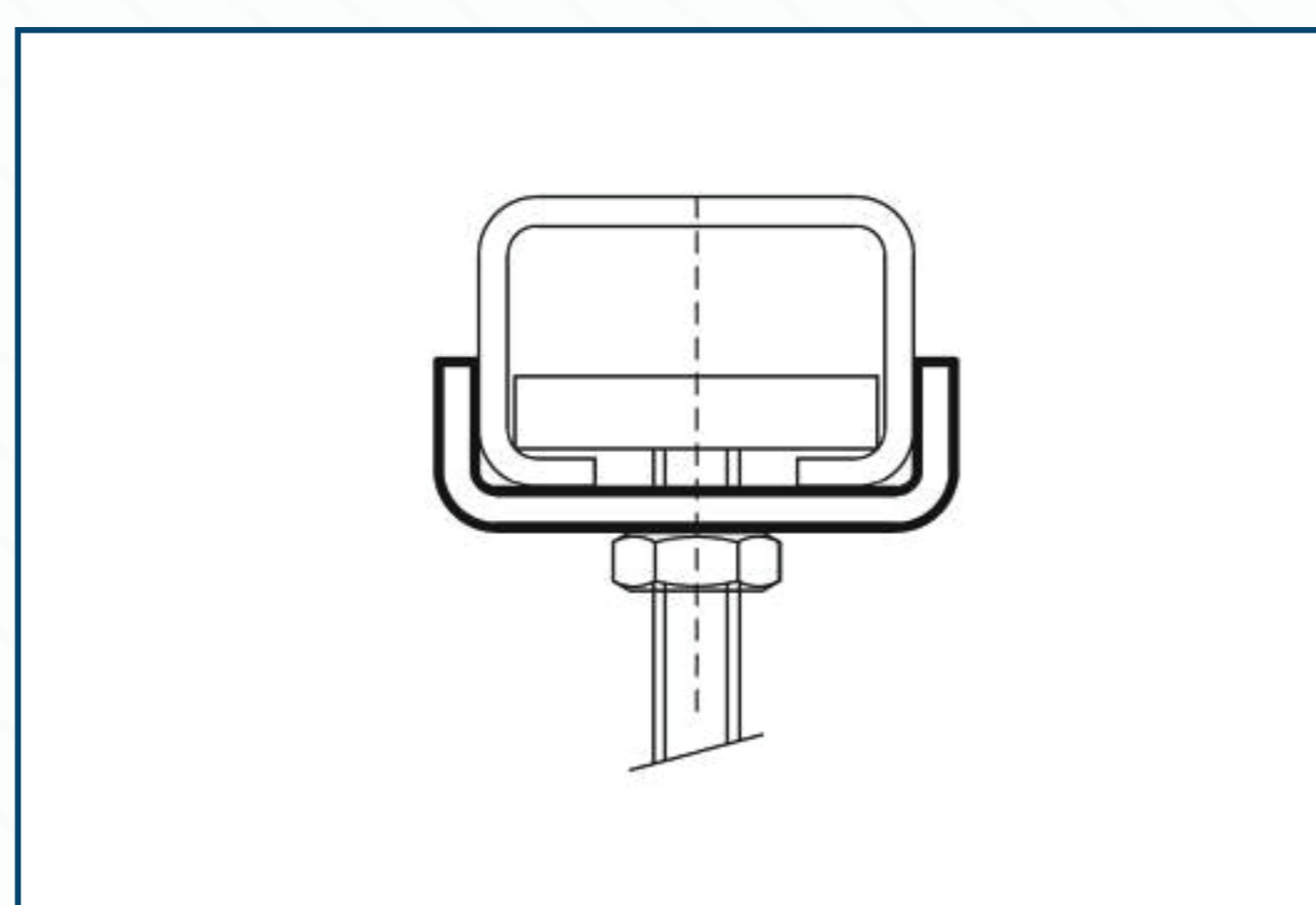
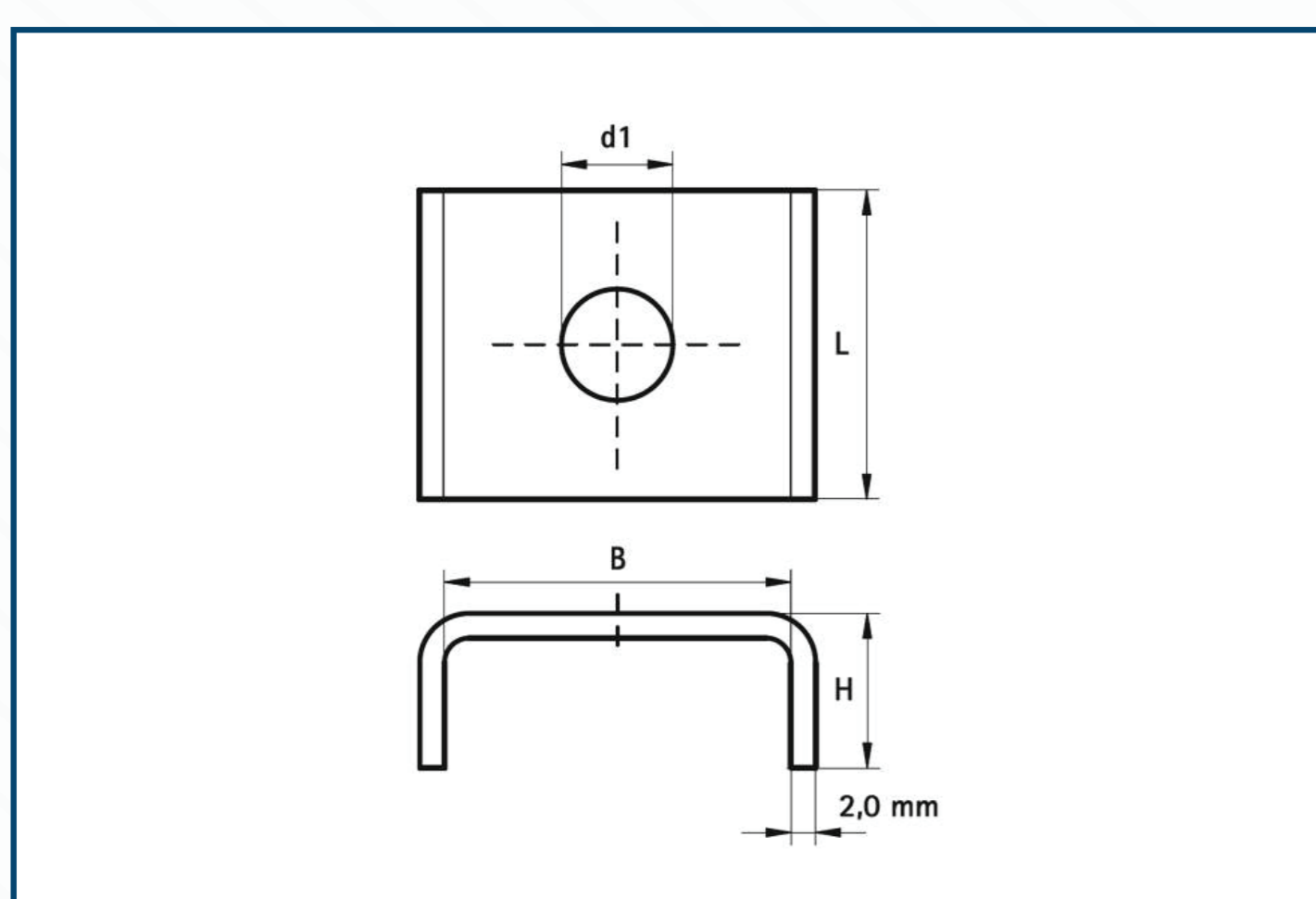
Washers (U-shaped)



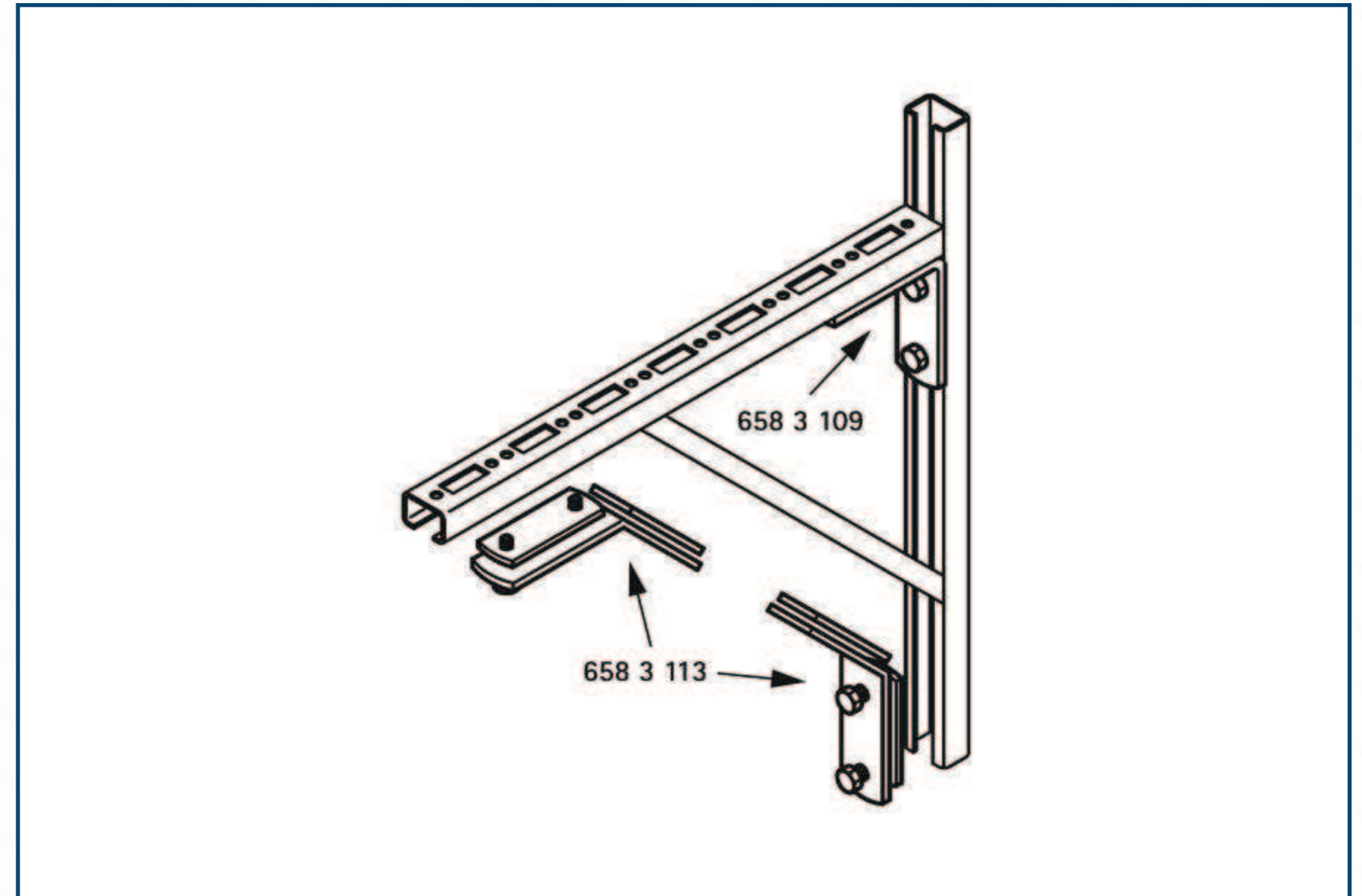
Features & benefits

- U-shaped washer
- U-shaped for extra stability
- Part No. 653 5 0XX: suitable for WMO
- Part No. 653 5 1XX: suitable for WMO, 1, 15, 2, 30, 35
- Material: steel
- Pre-galvanized.

Part No.	L	B (mm)	H (mm)	For Rail	d1 (mm)	Pack 1	Pack 2
653 5 008	25 mm	28,0	10,5	WMO	Ø 9,0	50	250
653 5 010	25 mm	30,5	10,5	WMO	Ø 11,0	50	250
653 5 110	30 mm	30,5	11,0	WM1 - 35	Ø 10,5	50	250
653 5 112	30 mm	30,5	11,0	WMO - 35	Ø 12,5	50	250



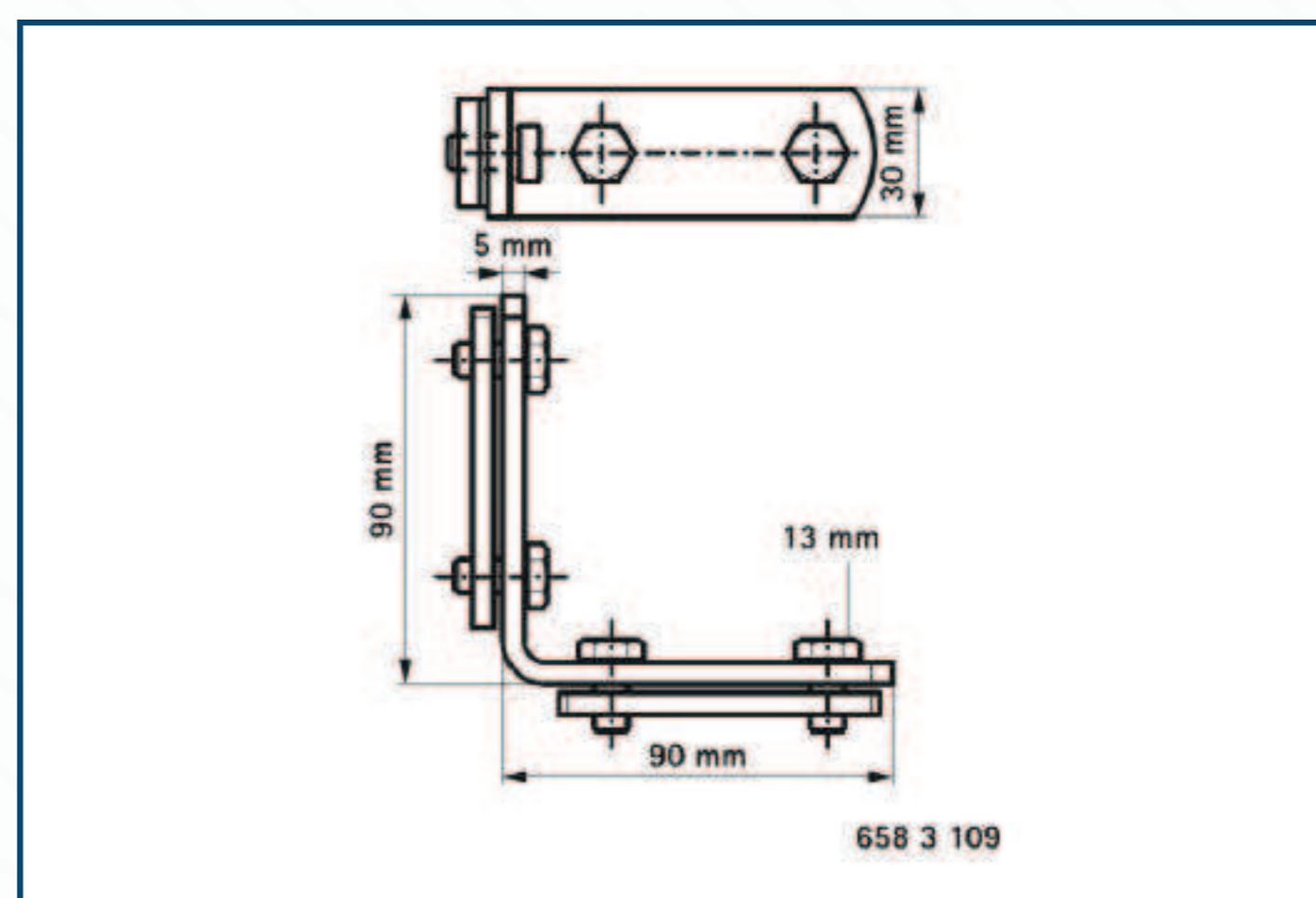
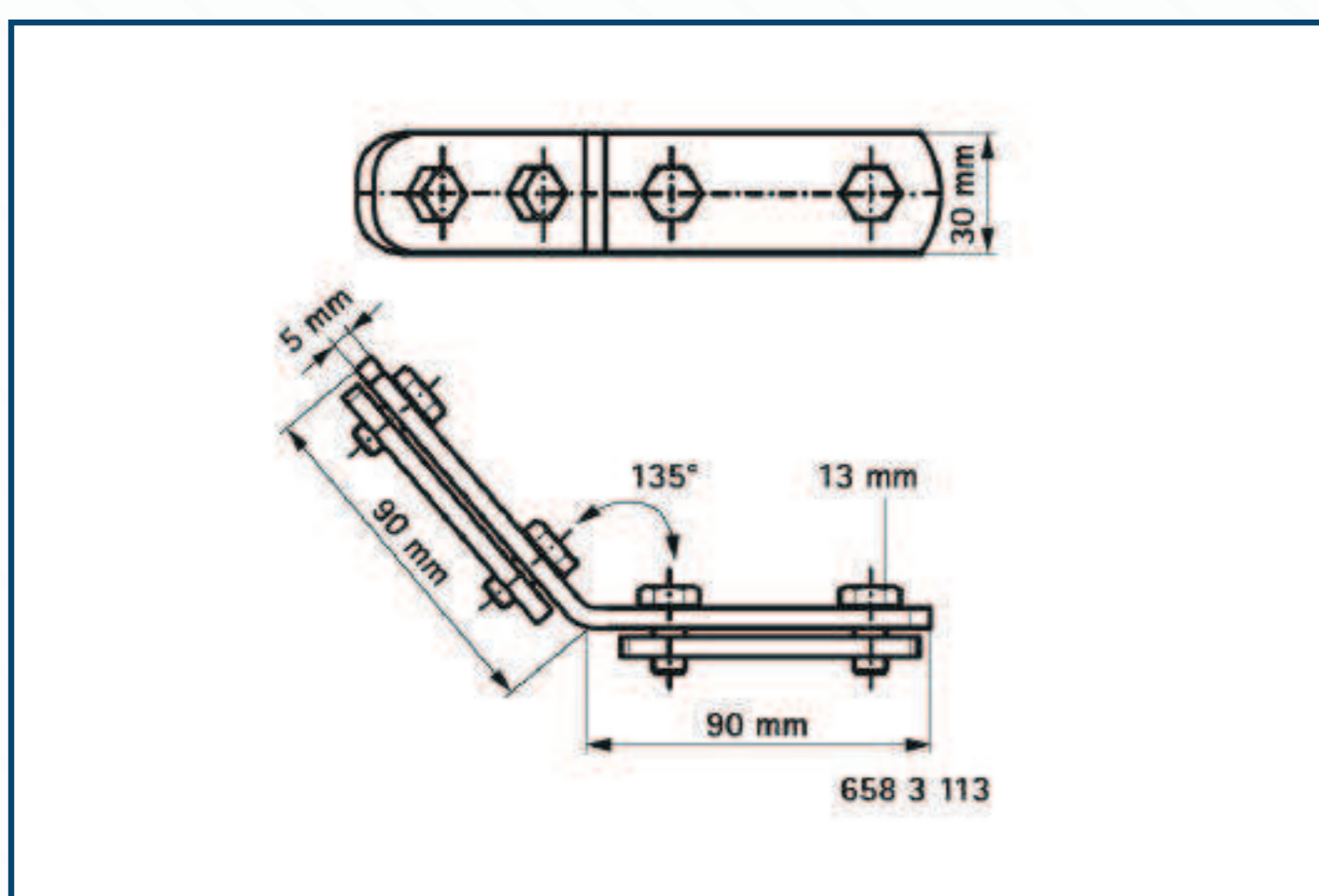
Rail Connector with Slide Nuts



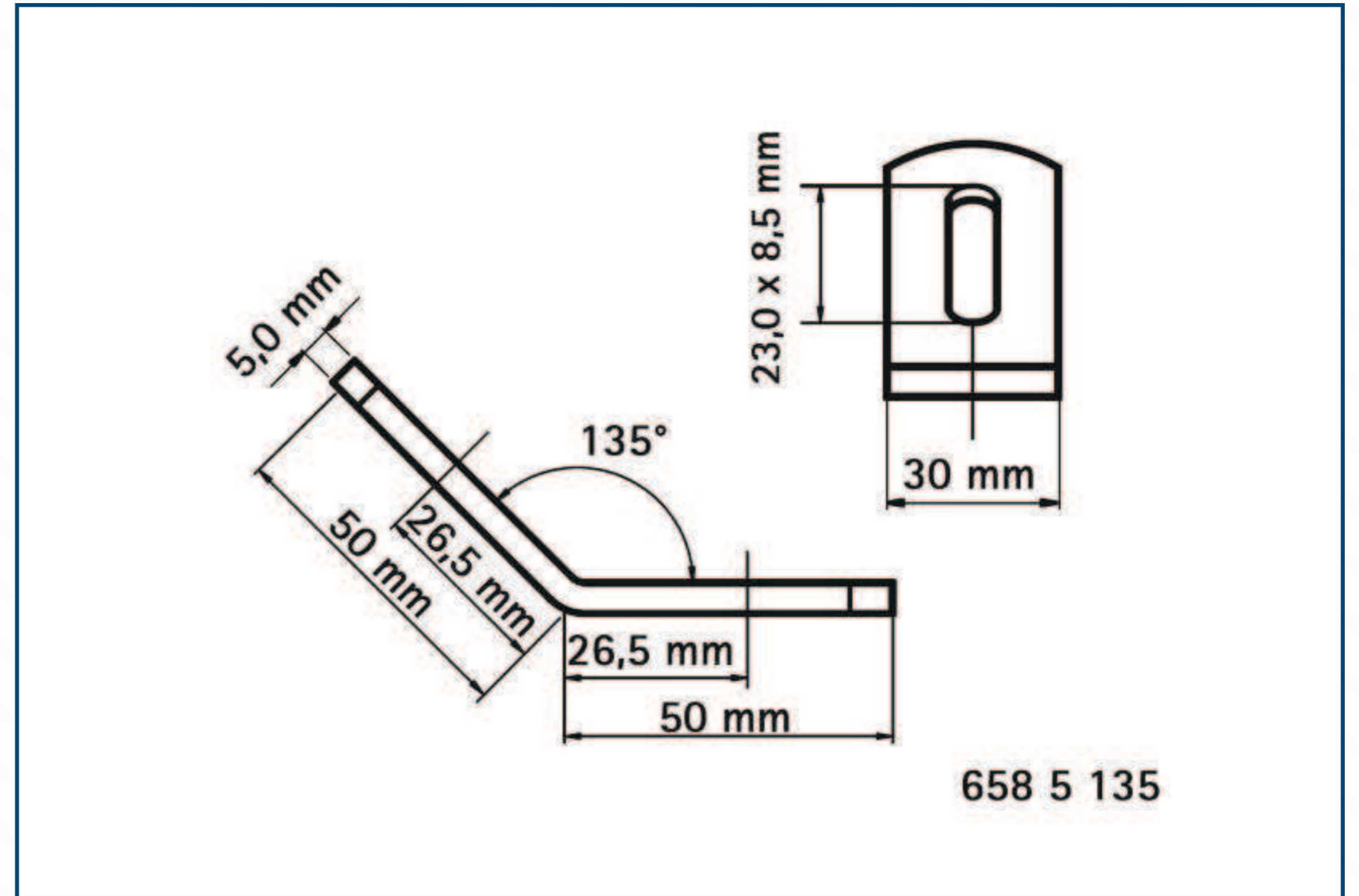
Features & benefits

- To make rail fabrications
- Suitable for WMO, 1, 15, 2, 30, 35
- With pre-assembled double side nut
- Material: steel
- Zinc plated.

Part No.	For Rail	α (°)	T (Nm)	Pack 1
658 3 109	WMO - 35	90°	15	25
658 3 113	WMO - 35	135°	15	25



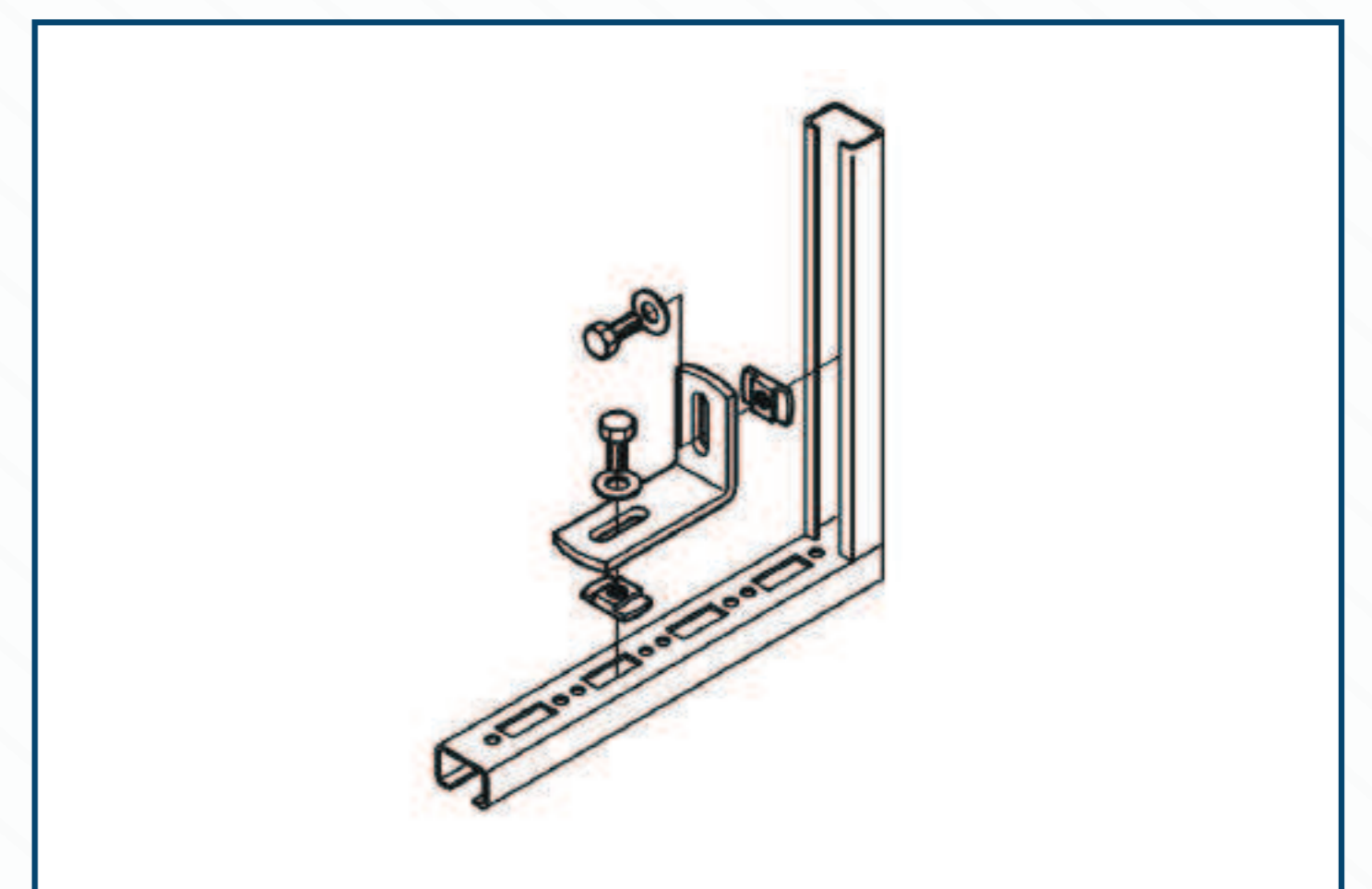
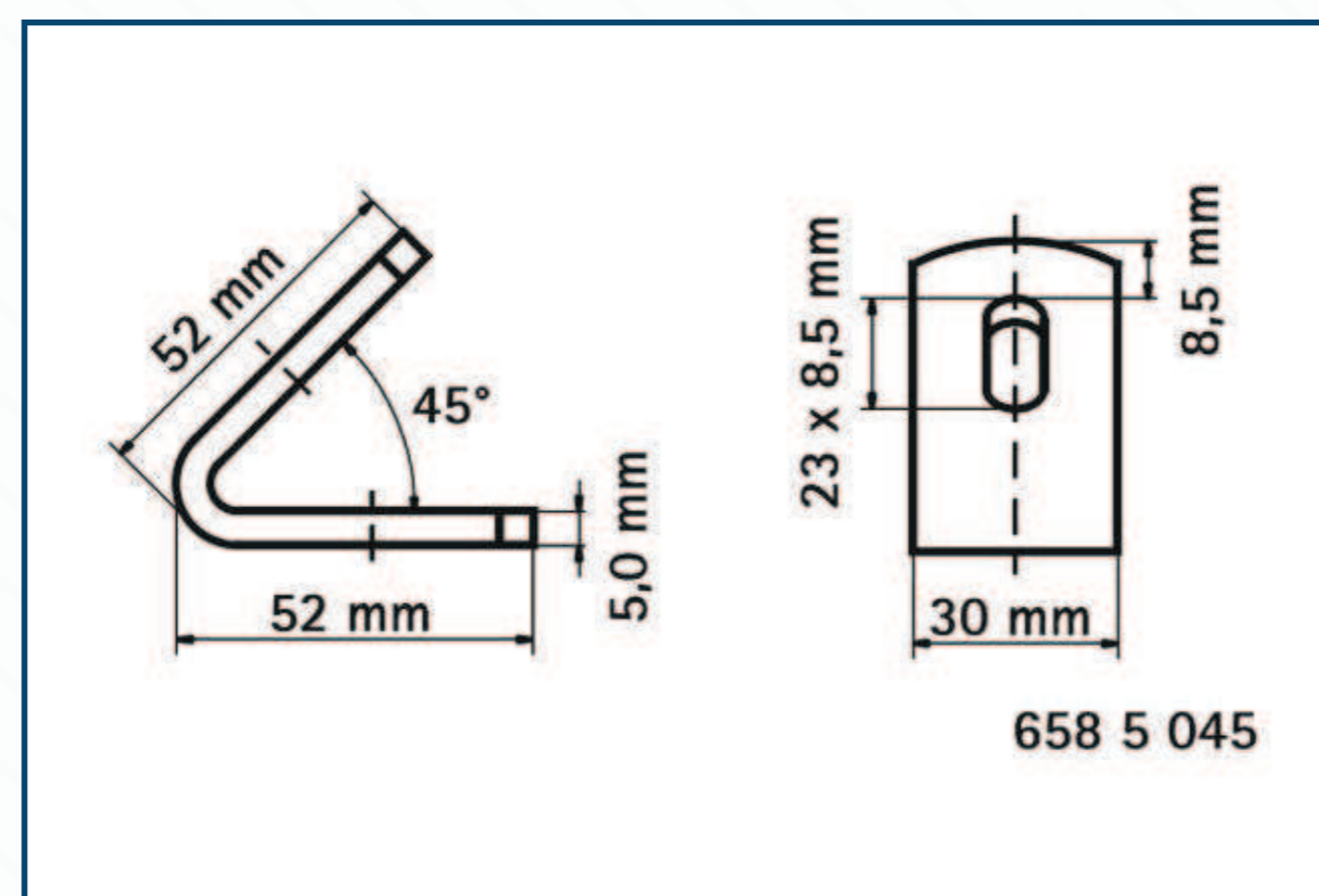
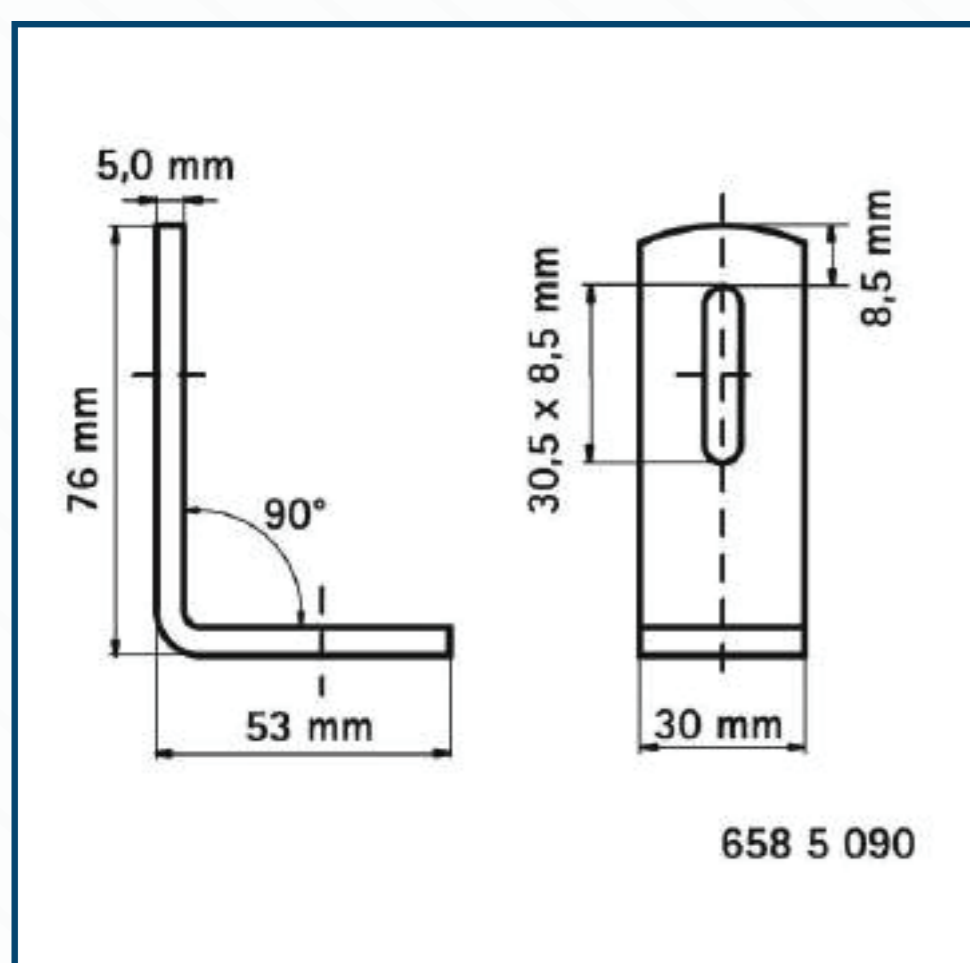
Rail Connectors



Features & benefits

- To make rail fabrications
- Suitable for WMO, 1, 15, 2, 30, 35
- With pre-assembled double side nut
- Material: steel
- Zinc plated.

Part No.	For Rail	α (°)	T (Nm)	Pack 1
658 5 090	WMO - 35	90°	15	25
658 5 135	WMO - 35	135°	15	25



Strut Connectors 90°

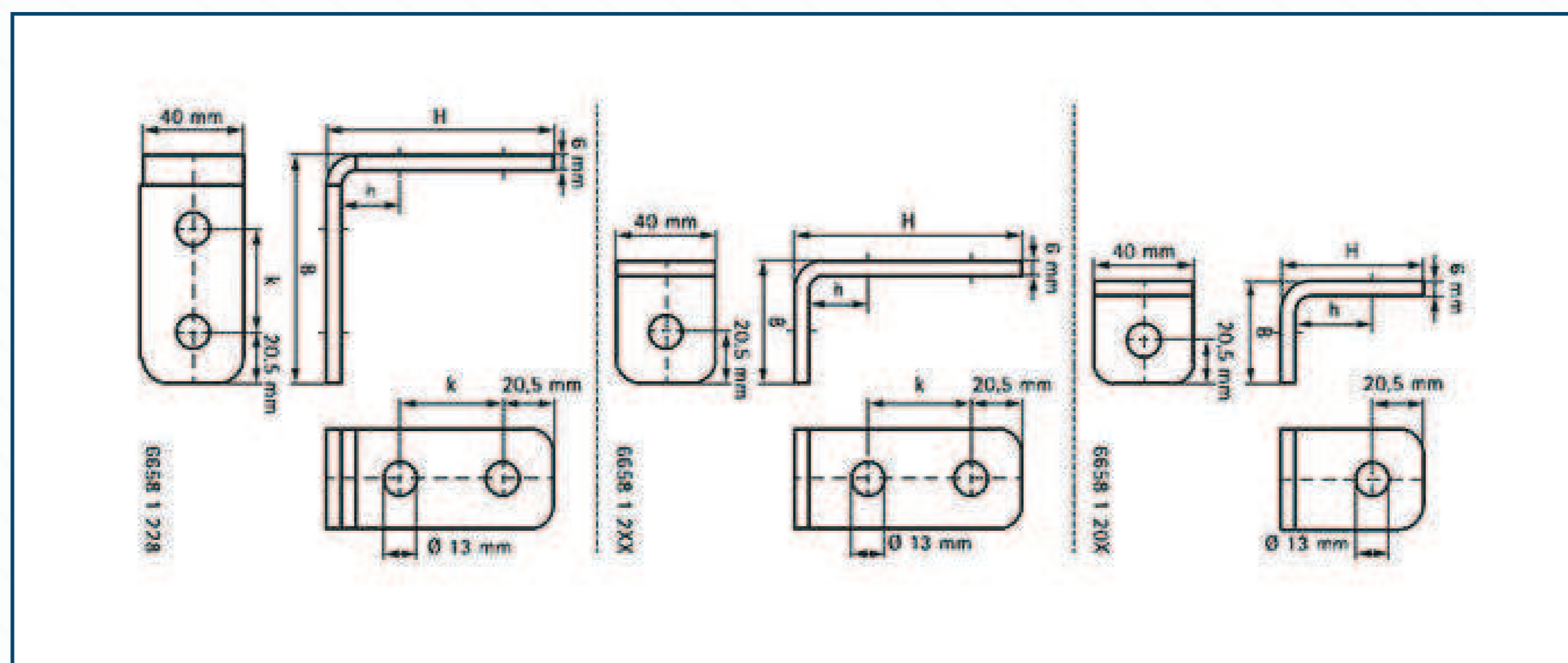


Features & benefits

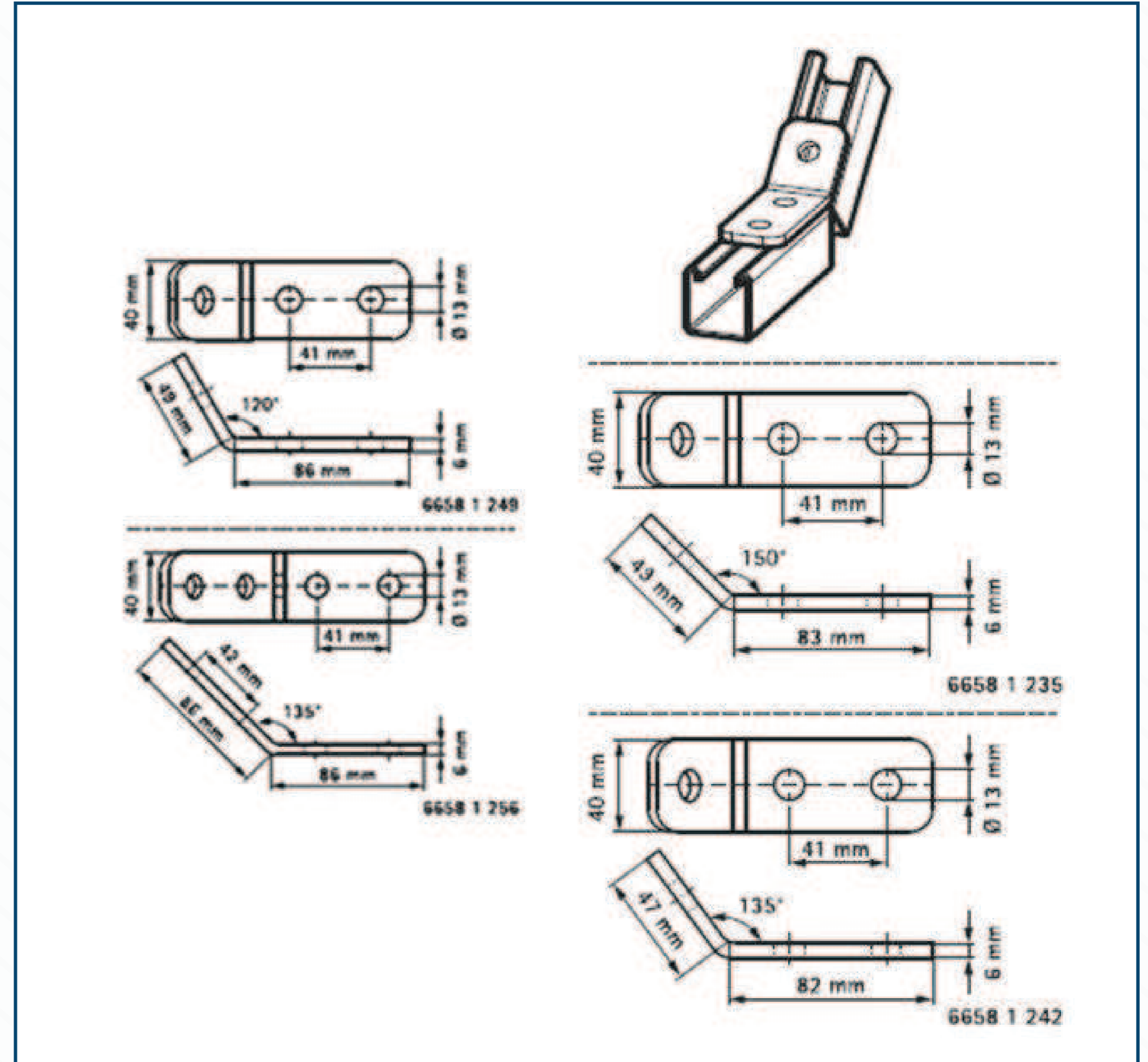
- To make fabrication with Strut Rail
- Easy fitting due to rounded edges
- Material: steel 1.0332
- Hot dip galvanized.

Part No.	Model	H (mm)	B (mm)	h (mm)	For Rail	K (mm)	α (°)	Pack 1
DM C6658 1 201	2 Holes	49	49	23	Sturt	-	90°	50
DM C6658 1 207	2 Holes	57	41	15	Sturt	-	90°	50
DM C6658 1 214	3 Holes	99	41	15	Sturt	41	90°	25
DM C6658 1 221	3 Holes	91	49	15	Sturt	41	90°	25
DM C6658 1 228	4 Holes	91	91	23	Sturt	41	90°	25

Also available in zine plated and stainless steel.



Strut Connectors 120°, 135°, 150°

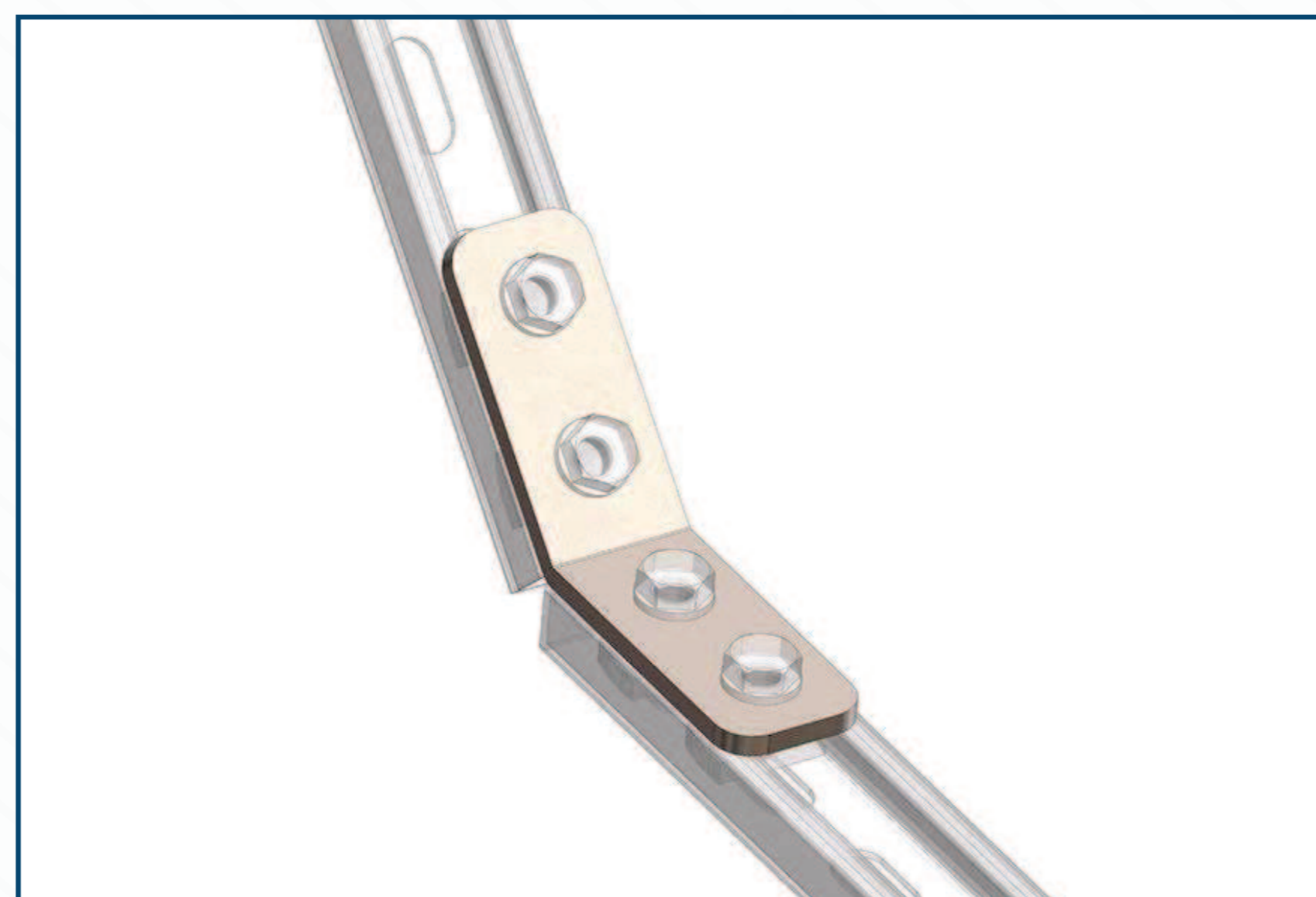


Features & benefits

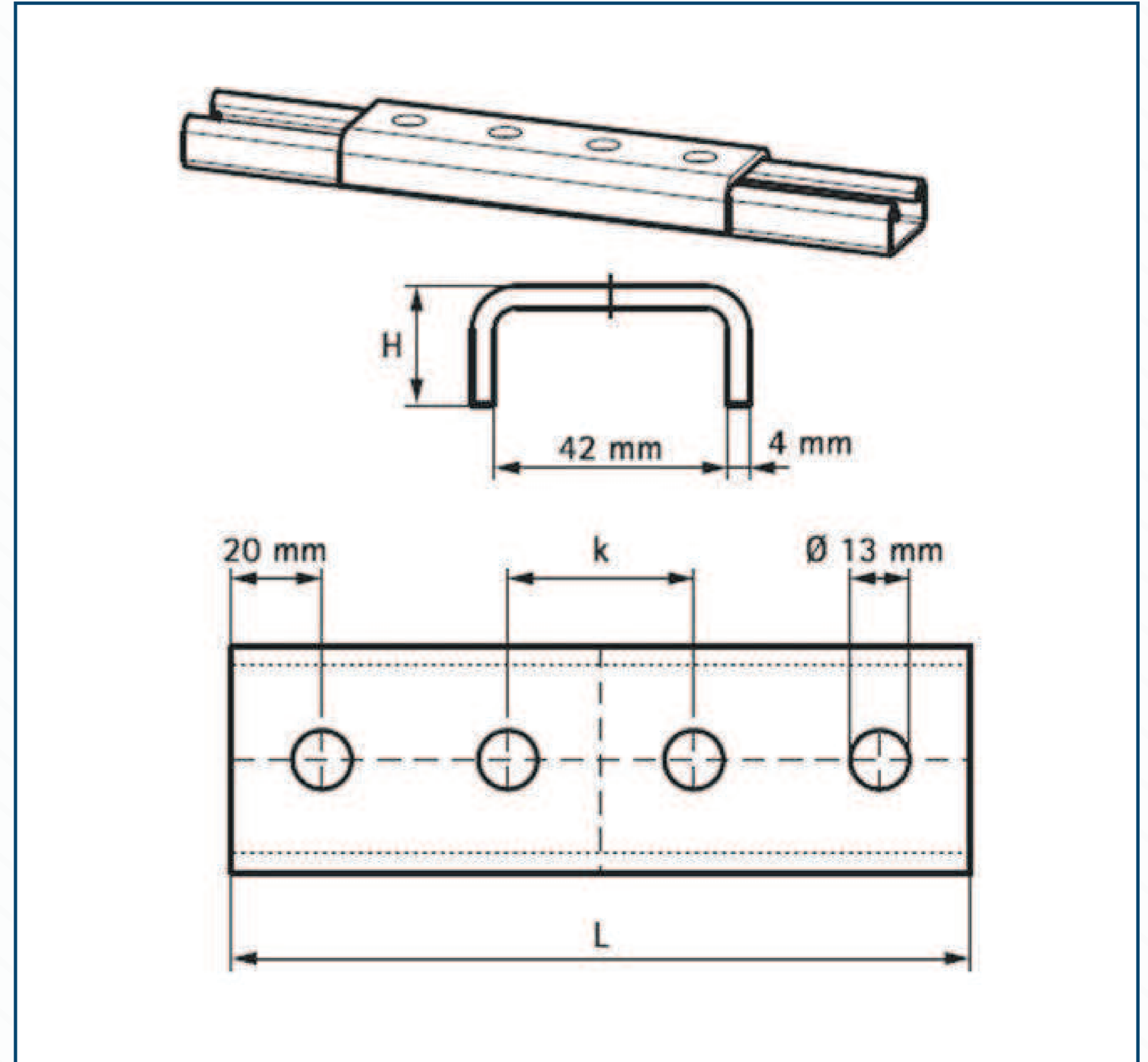
- To make fabrication with Strut Rail
- Easy fitting due to rounded edges
- Material: steel 1.0332
- Hot dip galvanized.

Part No.	For Rail	α (°)	Pack 1
DM C6658 1 235	Sturt	150°	25
DM C6658 1 242	Sturt	135°	25
DM C6658 1 249	Sturt	120°	25
DM C6658 1 256	Sturt	135°	25

Also available in zine plated and stainless steel. 1.4401 (AISI-no. 316).



U-Shaped Connectors

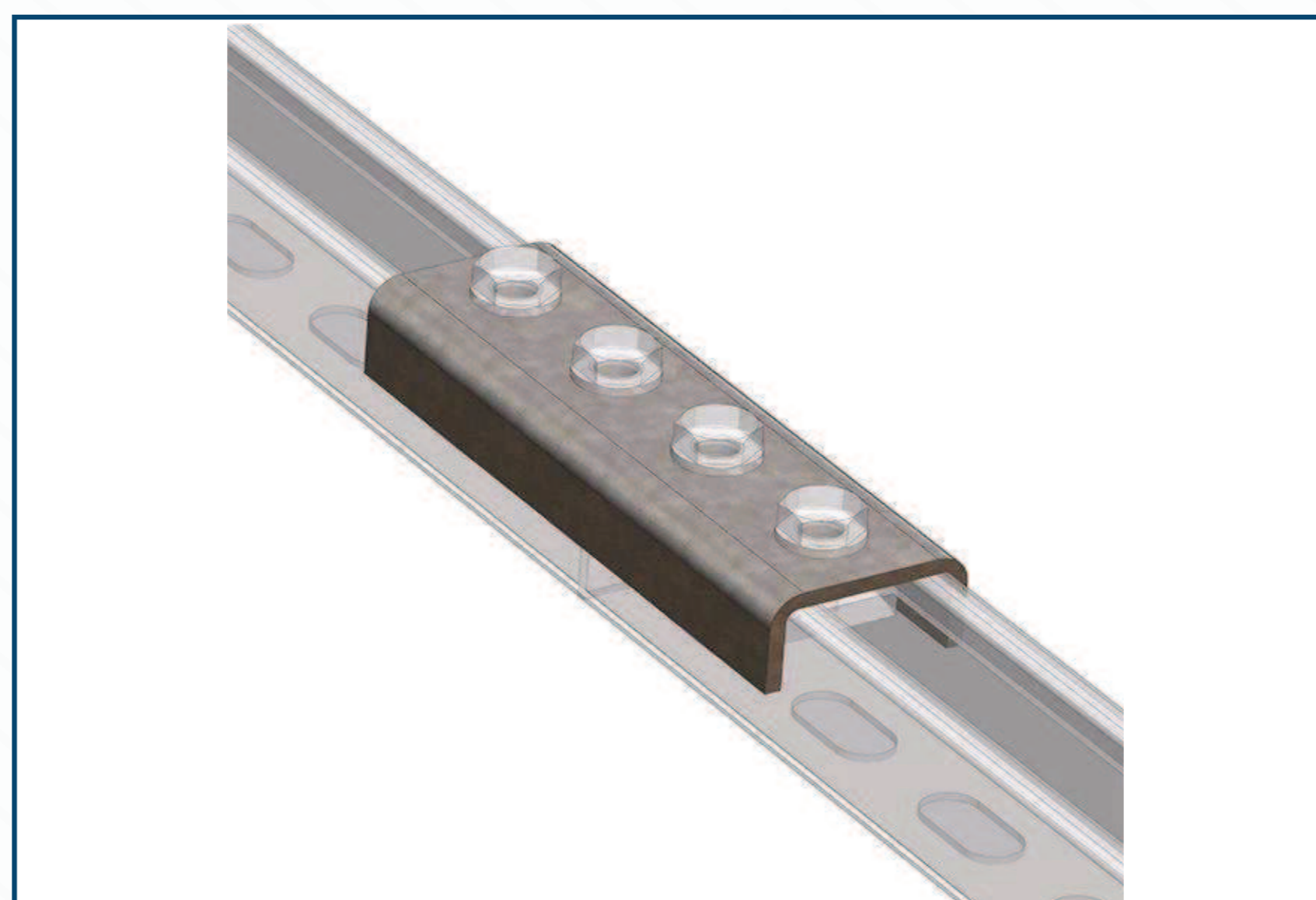


Features & benefits

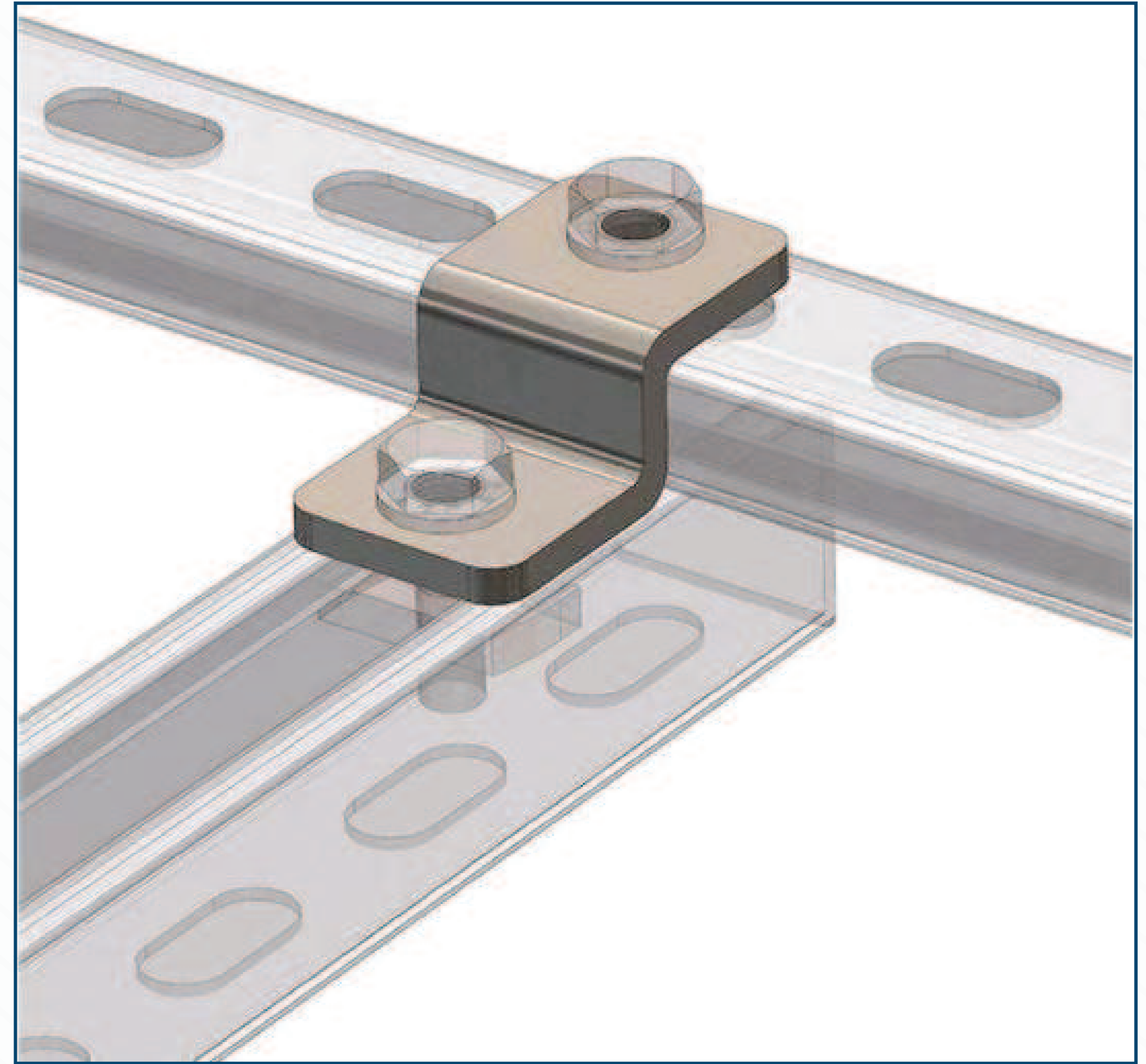
- U-shaped connector
- U-shaped for extra stability
- To make fabrication with Strut Rail
- Material: steel 1.0332
- Hot dip galvanized.

Part No.	L (mm)	H (mm)	For Rail	K (mm)	Pack 1
DM C6658 1 121	164	25	Sturt 41x21	41	20
DM C6658 1 22	191	25	Sturt 41x21	50	20
DM C6658 1 141	164	45	Sturt 41x41	41	10

Also available in zine plated and stainless steel. 1.4401 (AISI-no. 316Ti).



Strut Z-Connectors

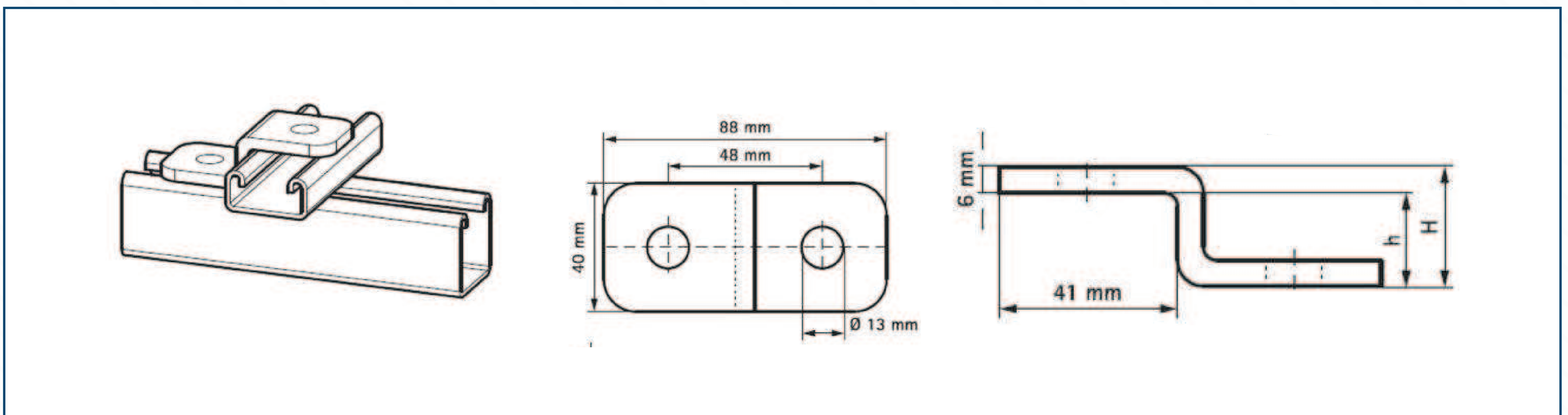


Features & benefits

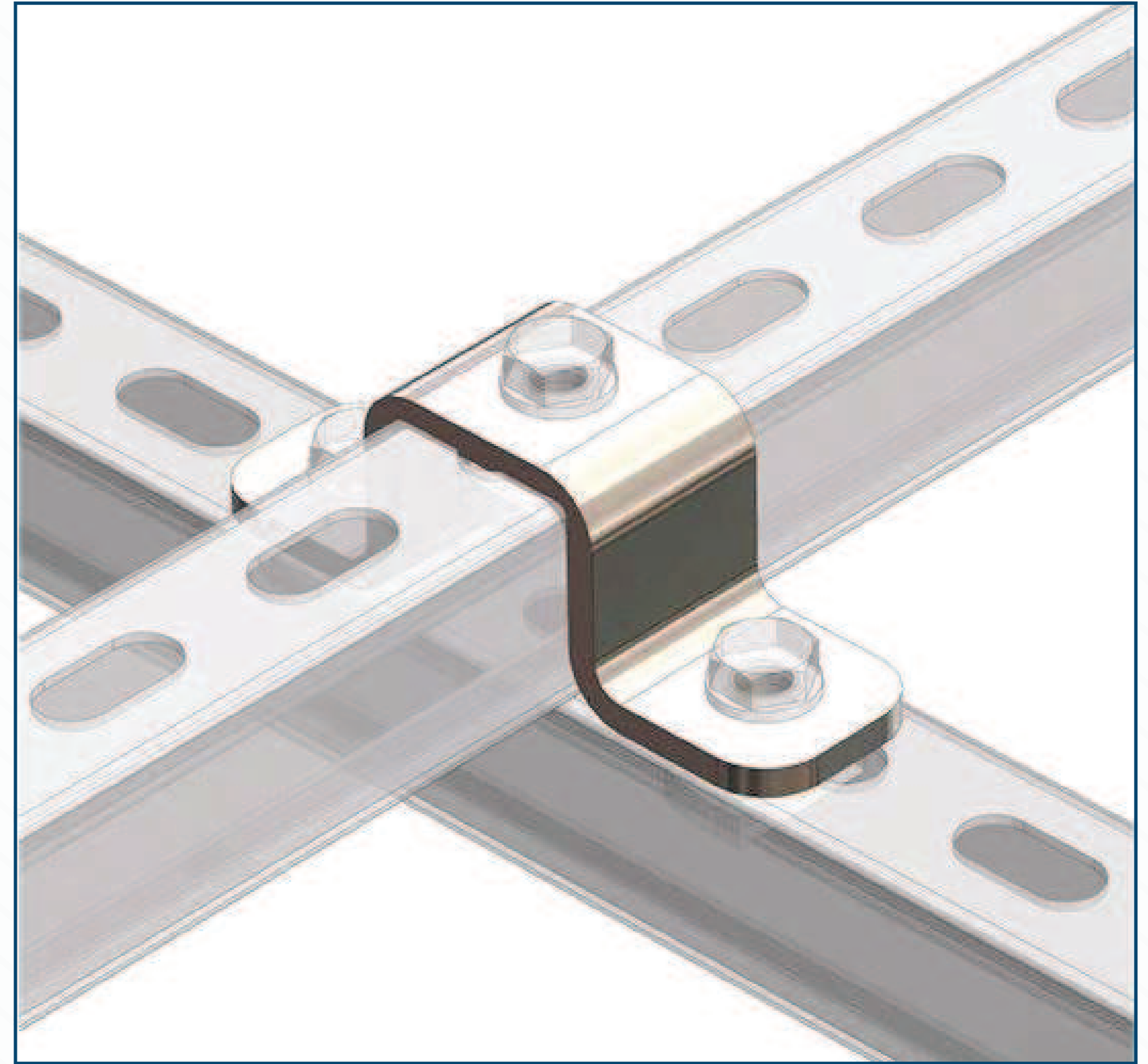
- To make fabrication with Strut Rail
- Easy fitting due to rounded edges
- Material: steel 1.0332
- Hot dip galvanized.

Part No.	H (mm)	h (mm)	For Rail	Pack 1
DMC 6658 1 502	27,5	21,5	Sturt 41x21	50
DMC 6658 1 504	47,5	41,0	Sturt 41x41 + Strut 41x21D	50
DMC 6658 1 506	68,5	62,0	Sturt 41x62	25
DMC 6658 1 508	89,5	83,0	Sturt 41x82 + Strut 41x41D	25

Also available in zine plated and stainless steel. 1.4404 (AISI-no. 316L).



Strut Cross Connectors

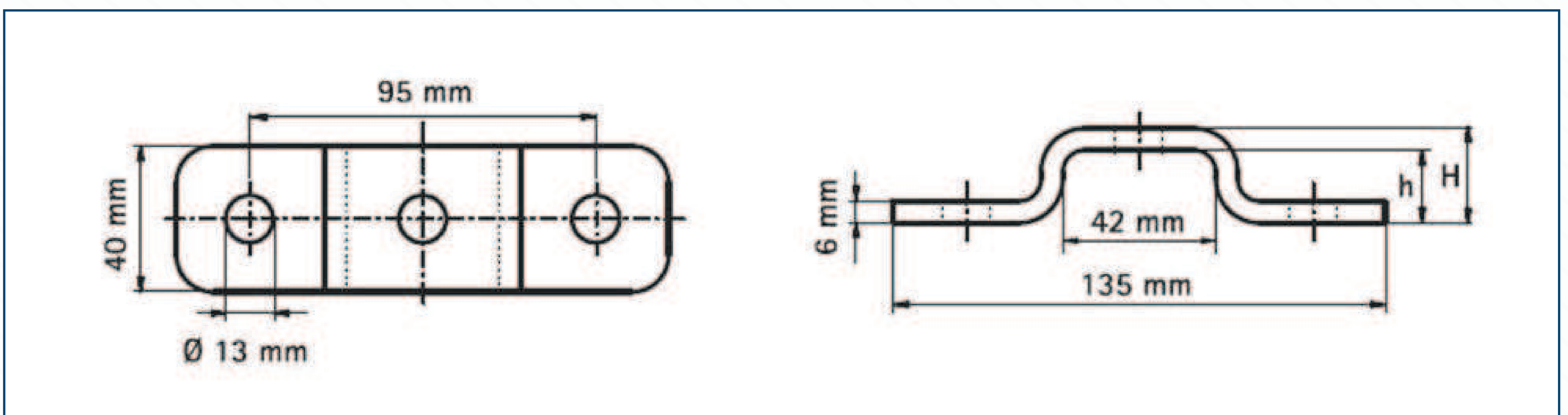


Features & benefits

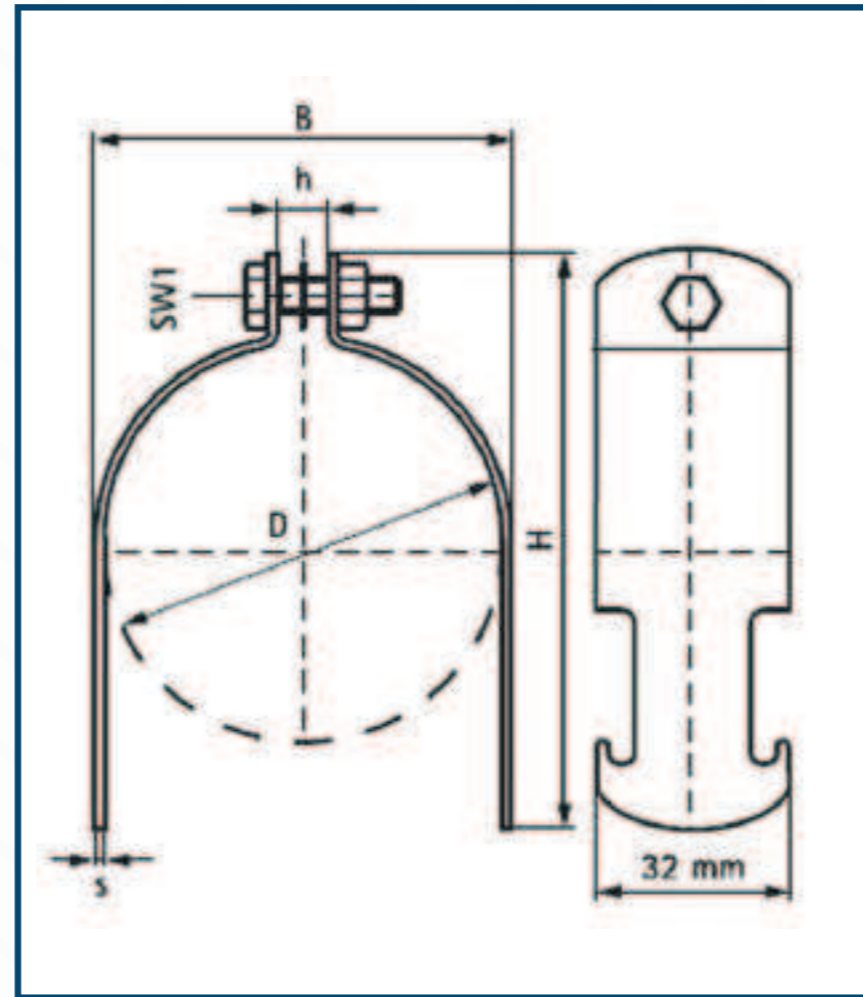
- To make fabrication with Strut Rail
- Easy fitting due to rounded edges
- Material: steel 1.0332
- Hot dip galvanized.

Part No.	H (mm)	h (mm)	For Rail	Pack 1
DMC 6658 1 402	26	20	Sturt 41x21	25
DMC 6658 1 404	46	40	Sturt 41x41	25
DMC 6658 1 406	66	60	Sturt 41x62	20
DMC 6658 1 408	87	81	Sturt 41x82	10

Also available in zine plated and stainless steel. 1.4404 (AISI-no. 316L).



Strut Clamps



Features & benefits

- Two-part clamp
- For direct fixing of pipes to Strut Rail
- Both ends suitable for locating into Strut Rail
- Material: steel 1.0226
- Pre-galvanized.

Part No.	D (mm)	D (mm)	DN (mm)	B (mm)	H (mm)	h (mm)	s (mm)	SW1 (mm)	Pack 1
200 5 010	9-10	-	-	13	47	5,0	1,5	10	100
200 5 012	10-12	3.175	6	15	49	5,0	1,5	10	100
200 5 014	12-14	6.35	8	17	51	5,0	1,5	10	100
200 5 016	14-16	-	-	19	53	5,0	1,5	10	100
200 5 018	16-18	9.525	10	21	55	7,5	1,5	10	100
200 5 022	20-22	12.7	15	25	58	10,0	1,5	10	100
200 5 026	22-26	-	-	29	62	10,0	1,5	10	100
200 5 030	26-30	19.05	20	33	67	10,0	1,5	10	100
200 5 035	30-35	25.4	25	38	72	10,0	1,5	10	100
200 5 040	35-40	-	-	43	77	10,0	1,5	10	100
200 5 045	40-45	31.75	32	48	82	10,0	1,5	10	100
200 5 050	45-50	38.1	40	54	88	10,0	2,0	13	100
200 5 055	50-55	-	-	59	93	10,0	2,0	13	100
200 5 060	55-60	-	-	64	98	10,0	2,0	13	100
200 5 065	60-65	50.8	50	69	103	10,0	2,0	13	100
200 5 070	65-70	-	-	74	108	10,0	2,0	13	100
200 5 075	70-75	-	-	79	113	10,0	2,0	13	50
200 5 080	75-80	63.5	65	84	118	10,0	2,0	13	50
200 5 085	80-85	-	-	89	123	10,0	2,0	13	50
200 5 090	85-90	76.2	80	94	128	10,0	2,0	13	50
200 5 095	90-95	-	-	99	133	10,0	2,0	13	50
200 5 100	95-100	-	-	104	138	10,0	2,0	13	50
200 5 105	100-105	-	-	110	148	15,0	2,5	17	50
200 5 110	105-110	-	-	115	153	15,0	2,5	17	50
200 5 120	110-120	101.6	100	125	163	15,0	2,5	17	50
200 5 130	120-130	-	-	135	173	15,0	2,5	17	25
200 5 140	130-140	127	125	145	183	15,0	2,5	17	25
200 5 150	140-150	-	-	155	193	15,0	2,5	17	25
200 5 160	150-160	-	-	166	204	15,0	3,0	17	25
200 5 170	160-170	152.4	150	176	214	15,0	3,0	17	25
200 5 200	190-200	-	-	206	244	15,0	3,0	17	25
200 5 225	215-225	203.2	200	231	269	15,0	3,0	17	25
200 5 250	240-250	-	-	256	294	15,0	3,0	17	25

Strut Beam Clamps

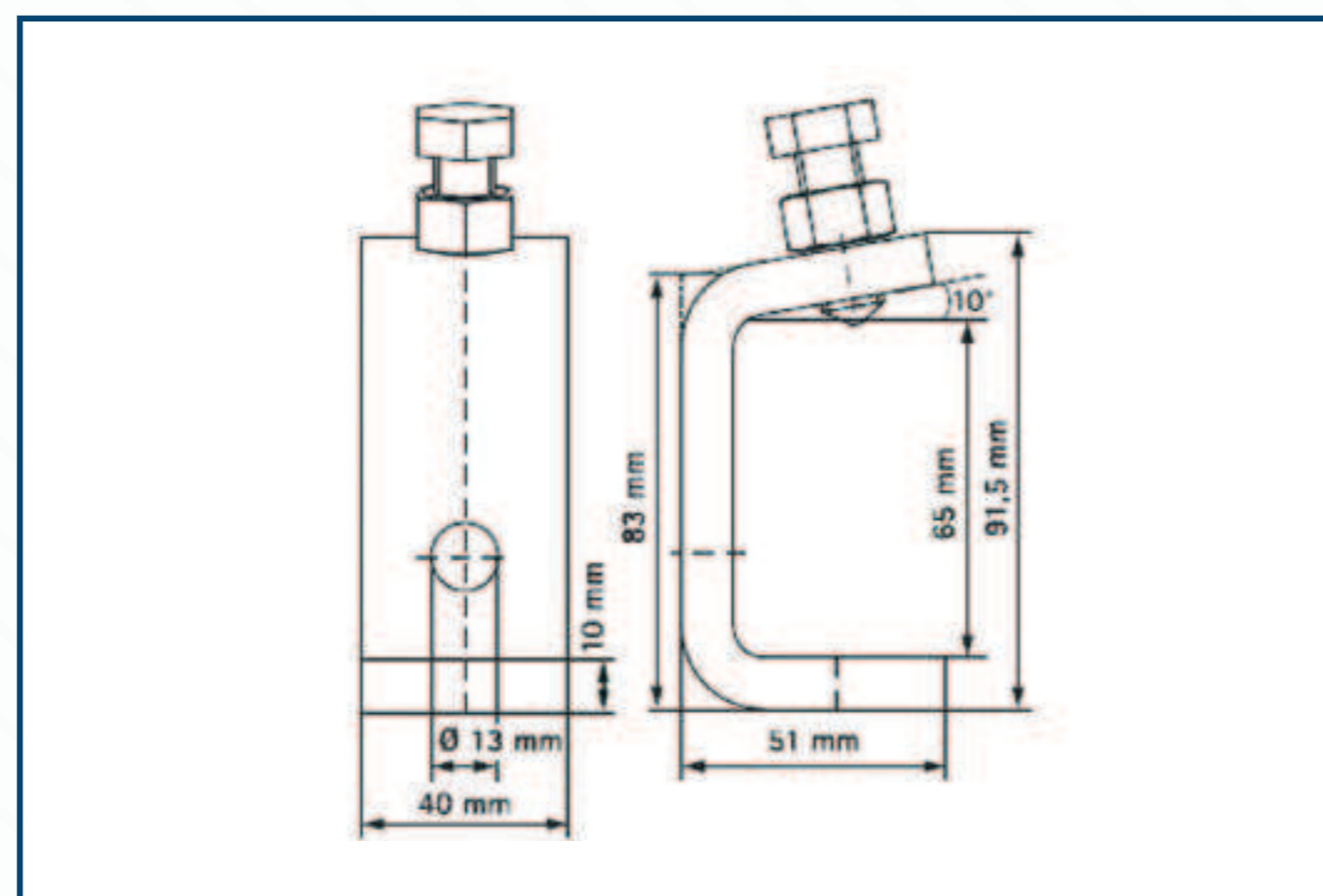
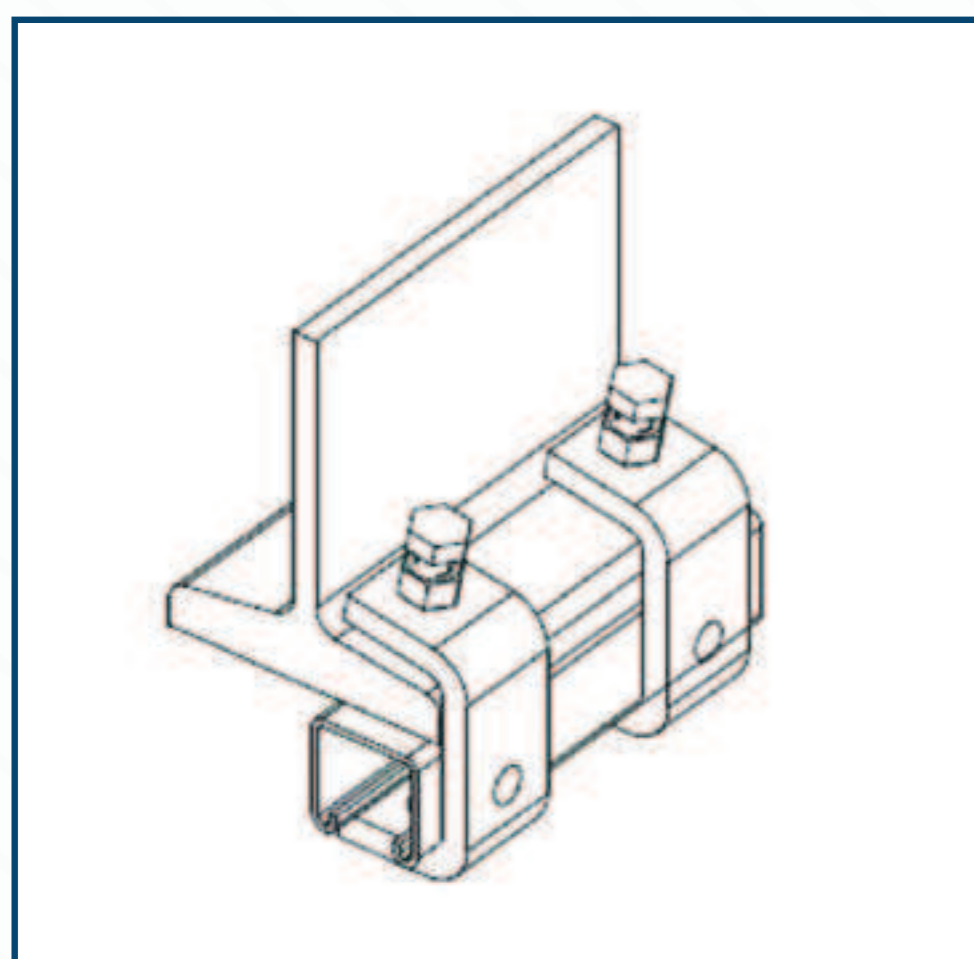


Features & benefits

- For a solid fixing to steel construction without the need for welding or drilling
- Always use 2 beam clamps per fixing
- Material: steel 1.0332
- Hot-dip galvanized.

Part No.	For Rail	Pack 1
6658 1 736	Strut 41x41 + Strut 41x21D	25

Also available in stainless steel 1.4404 (AISI - no. 316L)

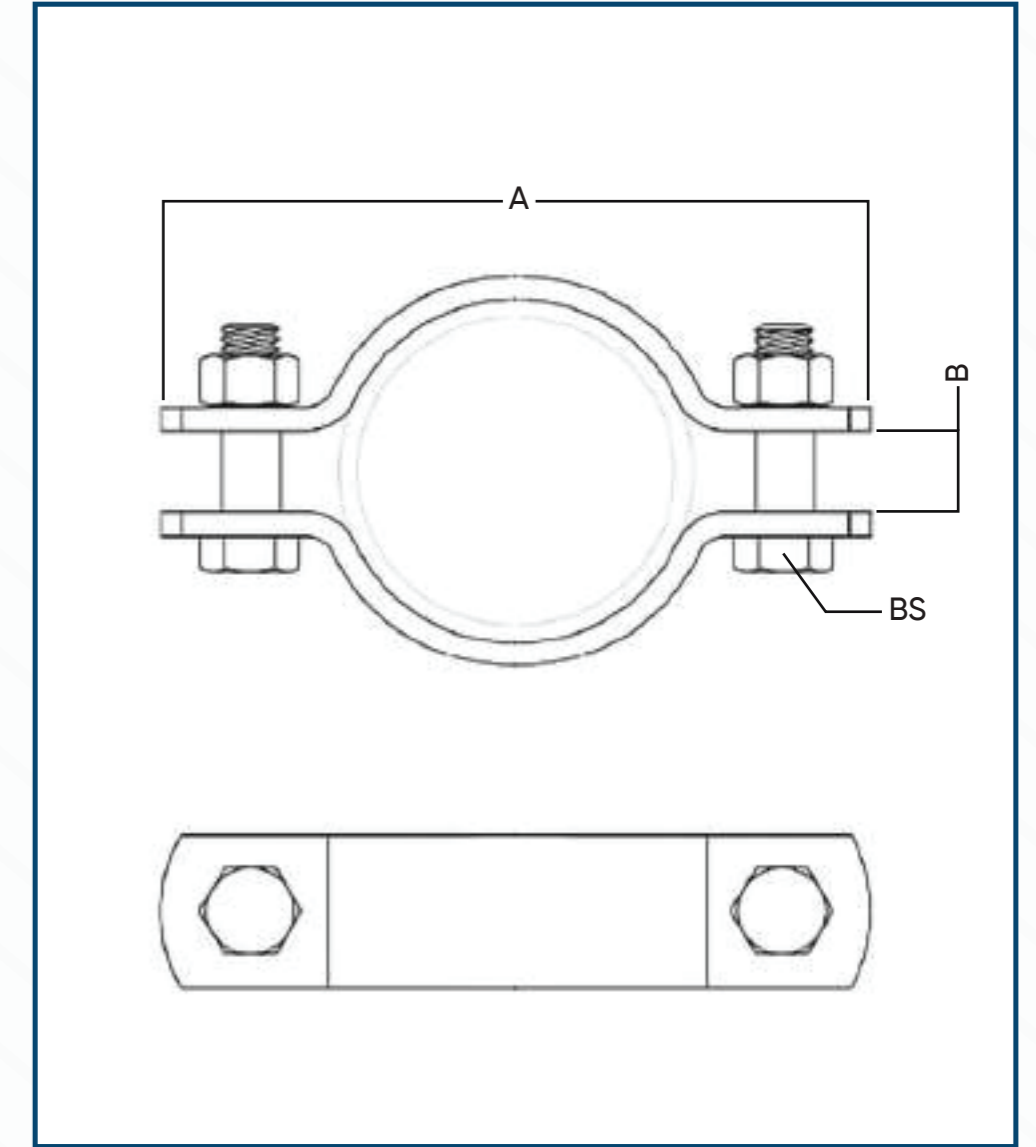


Standard Pipe Clamp

MODEL #cx-ST09

- **Material:** Carbon Steel.
- **Size Range:** 50.8 mm through 762 mm
- **Finish:** Green Zinc Rich Composite/Electro Galvanized/Hot Dip Galvanized

Comply with Federal Specification
WW-H-171E & A-A-1192A or Manufacturers
Standardization Society ANSI/MSS SP-69
& SP-58. (Type 4)



Nominal Pipe Size mm	Max. Rec.Load IBS	Max. Rec.Load KG	Bolt Size(RS) MM	A mm	B mm
12.7 mm	500	227	M8	77.6	10.6
19.05 mm	500	227	M8	81	12
25.4 mm	500	227	M8	95	12.2
31.75 mm	500	227	M8	99	12.2
38.1 mm	800	363	M8	108	12.2
50.8 mm	1040	472	M12	138	16.4
63.5 mm	1040	472	M12	164.5	16
76.2 mm	1040	472	M12	185	18
88.9 mm	1040	472	M12	196	18.6
101.6 mm	1040	472	M16	226.3	19.4
127 mm	1040	472	M16	278	19.4
152.4 mm	1615	733	M20	296	12.2
203.2 mm	1615	733	M20	359	24
254 mm	2400	1089	M20	443	32
304.8 mm	2400	1089	M20	493	36.8
355.6 mm	2400	1089	M20	539.8	28.6
406.4 mm	2400	1089	M20	590.6	28.6
457.2 mm	3060	1388	M25	660.4	31.8
508 mm	3060	1388	M28	717.6	34
609.6 mm	3060	1388	M28	857.3	41.3
762 mm	3500	1588	M40	1066.8	50.8

J-Hanger

MODEL #cx-JH061

- **Material:** Carbon Steel.
- **Size Range:** 12.7 mm through 203.2 mm
- **Finish:** Green Zinc Rich Composite/Electro Galvanized/Hot Dip Galvanized.

Comply with Federal Specification
WW-H-171E & A-A-1192A or Manufacturers
Standardization Society ANSI/MSS SP-69 &
SP-58. (Type 10)



Nominal Pipe Size mm	Max. Rec.Load IBS	Max. Rec.Load KG	Rod Size(RS) MM	A mm	B mm
12.7 mm	400	181	M10	73	14
19.05 mm	400	181	M10	88	14
25.4 mm	400	181	M10	94	14
31.75 mm	400	181	M10	113	14
38.1 mm	400	181	M10	115	14
50.8 mm	400	181	M10	133	14
63.5 mm	800	363	M12	156	17
76.2 mm	800	363	M12	178	17
101.6 mm	800	363	M16	218	21
127 mm	800	363	M16	239	21
152.4 mm	1000	454	M20	288	24
203.2 mm	1200	544	M20	357.2	27

Brace Band



Brace band application

Specification of Brace Band

- **Material:** pressed steel.
- **Surface treatment:** hot-dip galvanized or PVC-coated.
- **Color:** match the color coating of the fabric.
- **Minimum thickness:** 12 gauge.
- **Minimum width:** 19.05mm.
- **Size:** 34.925mm, 41.275mm, 50.8mm, 63.5mm, 76.2mm, 101.6mm, 152.4mm.



Round Shape Brace Band

Tension Band



Tension band reinforces chain link fence

Specification of Tension Band

- **Material:** pressed steel.
- **Surface treatment:** hot-dip galvanized or PVC-coated.
- **Color:** match the color coating of the fabric.
- **Minimum thickness:** 14 gauge.
- **Minimum width:** 19.05mm.
- **Size:** 34.925mm, 41.275mm, 50.8mm, 63.5mm, 76.2mm, 88.9 mm, 101.6mm, 152.4mm.



Galvanized tension band

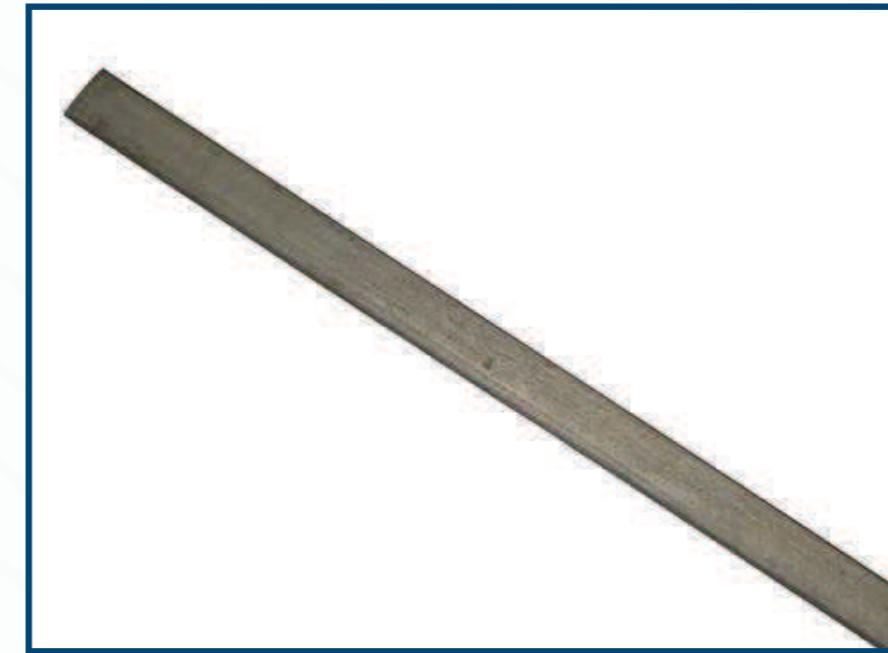
Tension Bar



Tension bar attaches chain link panel

Specification of Tension Bar

- **Material:** pressed steel.
- **Surface treatment:** hot-dip galvanized or vinyl-coated.
- **Width:** 15.875mm, 19.05mm, 9.525mm
- **Thickness:** 4.7625mm.
- **Height:** 914.4mm, 1066.8mm, 1219.2mm, 1524mm, 1828.8mm, 2133.6mm, 12438.4mm, 2743.2mm, 3048mm, 3657.6mm.



Tension bar

Tension wire



Green PVC tension wire



Galvanized spring tension wire

I Specification of Tension Wire

- **Material:** steel wire.
- **Surface treatment:** galvanized, PVC coating, metallic coating.
- **Color:** green, silver, black, brown.
- **Wire gauge:** 7 gauge, 9 gauge, 11 gauge.
- **Length:** 1000 feet/coil.

Table 1 Breaking Strength of Metallic-Coated Core Wire

Specified diameter of core wire mm	Minimum breaking strength ibf (N)
4.50	1950 (8670)
3.76	1290 (5740)

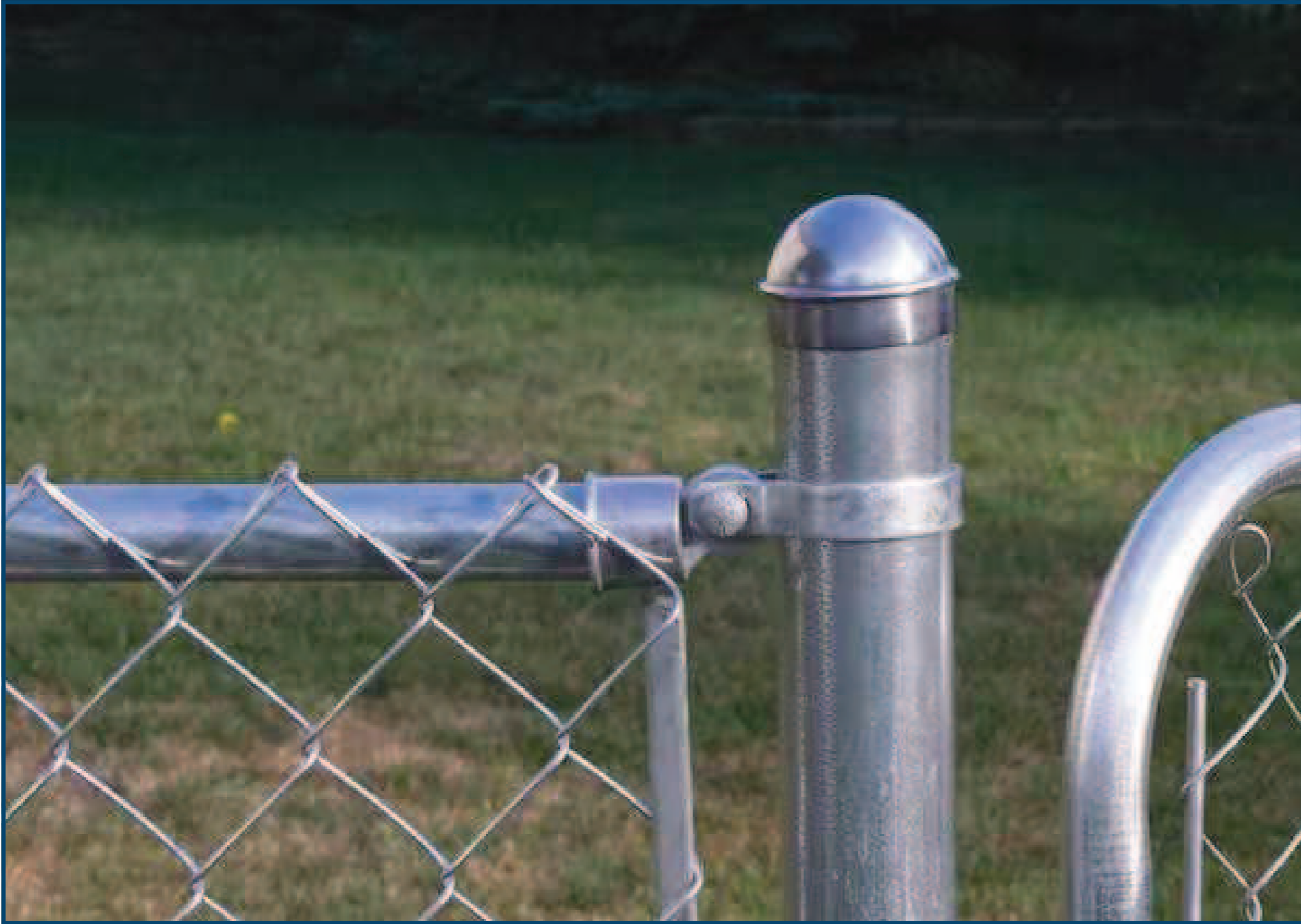
Table 2 Weight of Metallic Coatings

Specified diameter of core wire. (mm)	Minimum weight of zinc coating, oz/ft2 (g/m2)	Minimum weight of aluminum coating oz/ft2 (g/m2)	Minimum weight of zinc-5 % aluminum mischmetal coating oz/ft2 (g/m2)
4.50	0.40 (122)	0.20 (61)	0.40 (122)
3.76	0.30 (92)	0.20 (61)	0.30 (92)

Table 3 Thickness of Polymer Coating

	mm	mm
Minimum thickness at any point	0.38	0.15
Maximum thickness at any point	0.64	0.30

Post Cap



Dome-shape post cap covers on post

Specification of Post Cap

- **Material:** aluminum or steel.
- **Surface treatment:** galvanized or vinyl-coated.
- **Style:** dome and acorn post cap.
- **Post size:** 34.925mm, 41.275mm, 50.8mm, 63.5mm, 76.2mm, 101.6mm, 168.275mm.



Dome-shape post cap

Line Post Cap



Line post cap covers on a round post

Specification of Line Post Cap

- **Material:** pressed steel or aluminum.
- **Size:** 41.28 × 34.93 mm, 41.28 × 41.28 mm, 50.8 × 34.93 mm, 50.8 × 41.28 mm, 63.5 × 41.28 mm, 76.2 × 41.28 mm, 88.9 × 41.28 mm, 101.6 × 41.28 mm



Line post cap

Rail End



Rail end fix the horizontal post

Specification of Rail End

- **Material:** aluminum or steel.
- **Surface treatment:** zinc-coating or vinyl-coating.
- **Diameter:** 34.93 mm, 41.28 mm, 50.8 mm



Rail end with hook

Barbed Wire Arm



Barbed wire arm attaches barbed wire



45 degree barbed wire attaches barbed wire

Specification of Barbed Wire Arm

- **Material:** pressed steel.
- **Surface treatment:** hot-dip galvanized.
- **Size:** 41.28 × 41.28 mm, 50.8 × 41.28 mm, 63.5 × 41.28 mm
- **Style:** single slanted arm for three barbed wire strands; V-shaped arm for six barbed wire strands.

Carriage Bolt



Carriage bolt tighten tension band

Specification of Specification of carriage bolt and nut

- **Material:** steel.
 - **Surface treatment:** hot-dip galvanization.
 - **Diameter:** 7.94 mm, 9.53 mm
 - **Length:** 31.75 mm, 38.1 mm, 50.8 mm, 57.15 mm, 63.5 mm, 76.2 mm, 88.9 mm
- Nut is included.



Carriage bolt

Top Rail Sleeve



Metal top rail sleeve

Specification of Line Post Cap

- **Material:** steel.
- **Surface treatment:** galvanized or vinylcoated (match with the fence fabric).
- **Outside diameter:** 34.93 mm, 41.28 mm, 50.8 mm
- **Wall thickness:** 17 gauge.
- **Length:** 152.4 mm, 177.8 mm



Black vinyl-coated rail sleeve

Top Rail



Top rail is usually at the top of fence

Specification of Top Rail

- **Material:** steel.
- **Surface treatment:** galvanized or PVC-coated (match with the fence fabric).
- **Out diameter:** 34.93 mm, 41.28 mm
- **Wall thickness:** 9 to 17 gauge.
- **Length:** 6400.8 mm, 7315.2 mm



Metal top rail

J-Bolt Hinge



J-bolt hinge connects post to the wall

Specification of J-Bolt Hinge

- **Material:** pressed steel.
- **Surface treatment:** zinc-coating or PVC-coated.
- **Color:** silver, black, green or custom colors.
- **Pin diameter:** 15.88 mm
- **Length:** 114.3 mm, 254 mm, 304.8 mm



J-bolt hinge and two nuts

Razor Wire



Chain link fence with razor wire



Razor wire

Specification of Top Rail

- **Material:** galvanized steel or stainless steel AISI 304.
- **Surface treatment:** galvanized, PVC coating.
- **Coil diameter:** 450 mm.
- **Lineal meters:** 7–10 m.
- **Thickness:** 0.5 mm.
- **Wire diameter:** 2.5 mm.
- **Razor length:** 65 mm.

- **Razor width:** 15 mm.
- **Tensile strength:** 140 KSI (965 MPa).
- **Space between razors:** 100 mm.
- **Package**
 - Waterproof paper.
 - Woven bag.
 - Carton.
 - Pallet.

Common Specifications of Razor Wire

Code	Outer Diameter (mm)	Coil Quantity	Covering Length (ft)	Barb Clusters Per Loop	Spacing Coil loop \pm 50.8 (mm)	Razor Wire Type	Attachment Points
RW-01	457.2	31	20	13	406.4	single coil	3
RW-02	457.2	51	25	13	304.8	single coil	3
RW-03	609.6	31	20	19 \pm 1	406.4	single coil	3
RW-04	609.6	51	25	19 \pm 1	304.8	single coil	3
RW-05	762	31	20	24 \pm 1	406.4	single coil	3
RW-06	762	51	25	24 \pm 1	304.8	single coil	3,5
RW-07	762	81	40	24 \pm 1	304.8	single coil	5
RW-08	762	101	101	24 \pm 1	304.8	single coil	5
RW-09	1016	51	25	31 \pm 1	304.8	single coil	5,7
RW-10	1016	81	40	31 \pm 1	304.8	single coil	5,7
RW-11	1524	51	25	45 \pm 1	304.8	single coil	9
RW-12	1524	81	40	45 \pm 1	304.8	single coil	9
RW-13	609.6, 762	31	20	43 \pm 2	406.4	double coil	3
RW-14	558.8	31	20	43 \pm 2	406.4	double coil	3

Barbed Wire



Barbed wire application



Barbed wire spikes

Specification of Barbed Wire

- **Material:** carbon steel wire, aluminum alloy wire, stainless steel wire.
- **Surface treatment:** galvanized or vinyl coating, PVC coating.
- **Color:** silver, green, blue, red, black.
- **Number of spikes:** 4.
- **Spike spacing:** 70 mm – 120 mm.
- **Horizontal line wire diameter:** 2.8 mm.
- **Barb wire diameter:** 2.0 mm.
- **Length:** 1000 ft./roll.
- **Wire gauge:** 12 gauge, 13 gauge, 14 gauge, 5 gauge.
- **Shape of barbed wire:** round, flat, half-round.
- **Coating thickness:** 0.067 – 0.099 mm.



Hitech

GROUP



شركة حديد
الصناعية
التقنية العليا
HITECH
STEEL INDUSTRIES



HITECH
STEEL INDUSTRIES
AUTOMATION



HITECH
STEEL INDUSTRIES
BARRIER



HITECH
STEEL INDUSTRIES
GABION



HITECH
STEEL INDUSTRIES
RACKS & PARTITION

